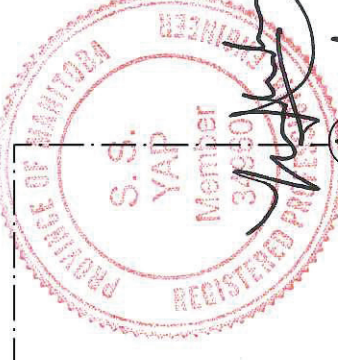
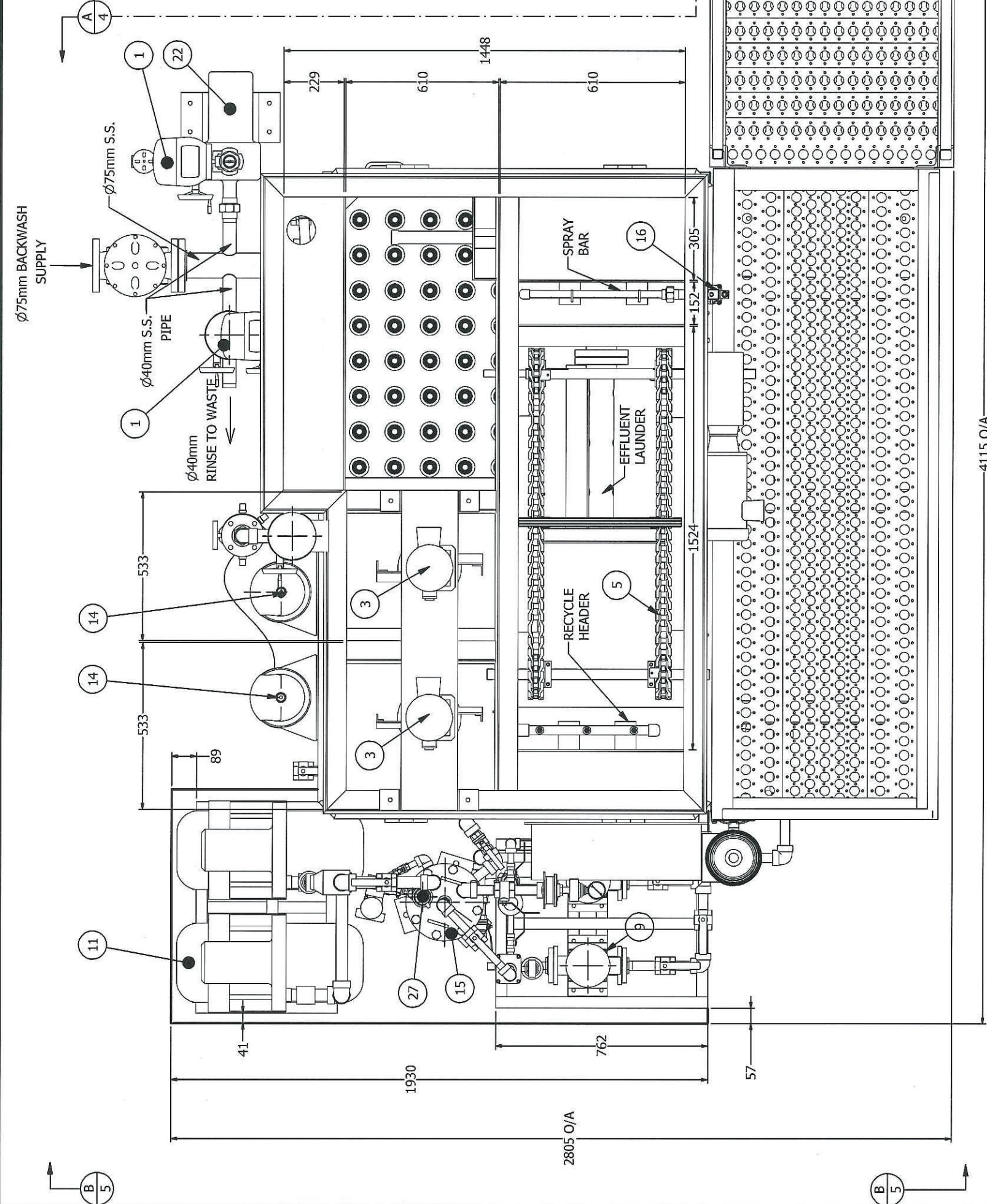


BILL OF MATERIALS	
ITEM	DESCRIPTION
1	40mm DIA MAS G2E BALL VALVE c/w EPI2 ELECTRIC MODULATING ACTUATOR
2	40mm DIA WESTFALL STATIC MIXER c/w 2 INJECTION PORTS
3	TWO STAGE MECHANICAL FLOCCULATOR c/w ALUMINUM PADDLES VARIABLE SPEED 1/4 HP, 120V AC & REDUCTION GEARBOX ADJUSTABLE G VALUES: 100 TO 105
4	25mm DIA MAS B-3 DRAIN VALVES BRASS BALL c/w LEVER HANDLE
5	MECHANICAL FLOAT SKIMMER
6	20mm DIA CLA-VAL #136 SOLENOID CONTROL VALVE c/w FLOW LIMITING ASSEMBLY
7	RECYCLE INLET VALVE
8	RECYCLE OUTLET VALVE
9	RECYCLE PUMPS (1 DUTY, 1 STANDBY) CRIS VERT MULTISTAGE PUMP 2 USGPM @ 200 FT TDH, 1/2HP, 3500RPM, 208/1 PH/60HZ
10	40mm DIA SILENT CHECK VALVE
11	COMPRESSOR, OIL LESS- 8USGal. RECEIVER
12	75mm DIA CLA-VAL RATE OF FLOW CONTROL VALVE
13	25mm DIA CLA-VAL
14	HACH 1720E LOW RANGE TURBIDIMETER c/w COMMON SC200
15	SATURATOR 150mm DIAMETER
16	25mm DIA CLA-VAL
17	ENFM PRESSURE GAUGE & ASCO P- SERIES PRESSURE SWITCH
18	75mm DIA KEYSTONE BUTTERFLY VALVE c/w LEVER
19	SKIMMER DRIVER REDUCER w/ MOTOR
20	WTKA A-10 PRESSURE TRANSMITTER c/w PRESSURE GAUGE, ISOLATION & BLEED VALVES
21	FLOW METER
22	GOULDS CENTRIFUGAL PUMP
23	20mm DIA PE102 LOW FLOW MAGNETER
24	40mm DIA KEYSTONE #61 BALL VALVE c/w EPI2 ELECTRIC MODULATING ACTUATOR
25	E & H DIFFERENTIAL PRESSURE TRANSMITTER w/ LCD DISPLAY
26	ASME SAFETY PRESSURE RELIEF VALVE
27	ARO AIR PRESSURE REGULATOR
28	ENFM PRESSURE GAUGE
29	SIGHT GLASS WITH ISOLATION VALVES
30	ASCO SOLENOID VALVE



NOTE:
A
4

SHIPPING WEIGHT: 2,000Kg per TANK
MEDIA WEIGHT : 1,000Kg

DRAWN	JL	BERENS RIVER WTP
DESIGN	KB	(REF 11095)
CHECKED	KB	CORIX DAF - 20
APPROVED	JY	PLANT LAYOUT & ELEVATION
DATE	02/15/2013	SHEET 1 OF 6
SCALE	NTS	DRAWING NO. 13001-01
		REV A

CORIX
Water Systems

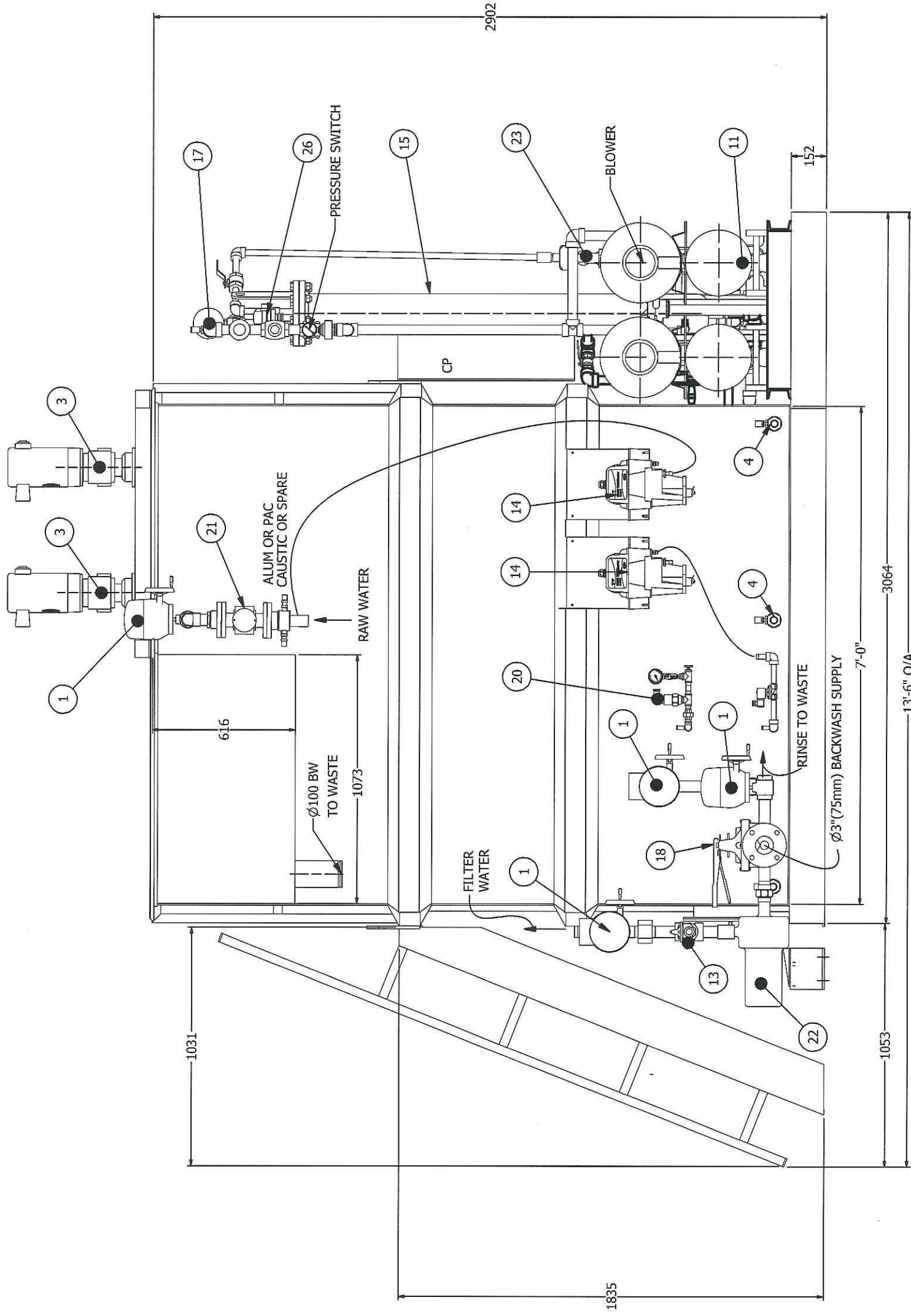
1990 8th AVENUE LANGLEY, B.C., CANADA V2J 3C2
PHONE : 604-455-3630 TOLL FREE : 1-800-500-8855
www.corix.com

NOTE

THIS DRAWING IS THE PROPERTY OF CORIX WATER SYSTEMS, AND CONTAINS PROPRIETARY AND CONFIDENTIAL INFORMATION WHICH MUST NOT BE DUPLICATED, USED OR DISCLOSED OTHER THAN EXPRESSLY AUTHORIZED BY CORIX WATER SYSTEMS.

REV	DESCRIPTION	BY	CHK'D	APP'D	DATE
A	REVISED & RE-ISSUED FOR REVIEW	JL	KB	KB	02/22/2013

REVISIONS



DRAWN	JL	BERENS RIVER WTP
DESIGN	KB	(REF 11095)
CHECKED	KB	CORIX DAF - 20
APPROVED	JY	PLANT LAYOUT & ELEVATION
DATE	02/15/2013	SHEET 3 OF 6
SCALE	NTS	DRAWING NO. 13001-01
		REV A

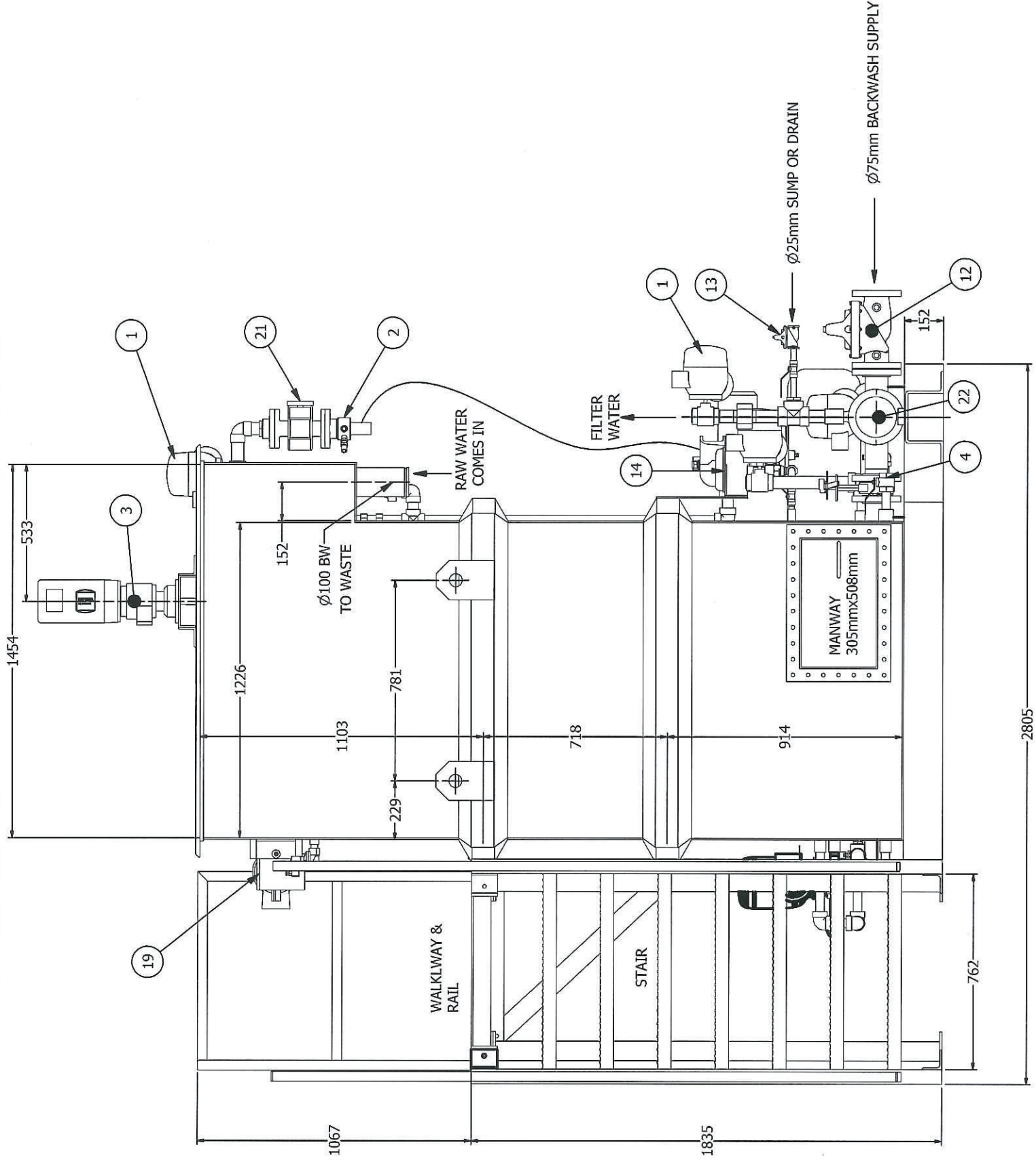
CORIX
Water Systems

19900 8th AVENUE LANGLEY, B.C., CANADA V2J 3C2
PHONE : 604-455-3630 TOLL FREE : 1-800-500-8855
www.corix.com

NOTE

THIS DRAWING IS THE PROPERTY OF CORIX WATER SYSTEMS, AND CONTAINS PROPRIETARY AND CONFIDENTIAL INFORMATION WHICH MUST NOT BE DUPLICATED, USED OR DISCLOSED OTHER THAN EXPRESSLY AUTHORIZED BY CORIX WATER SYSTEMS.

REV	DESCRIPTION	BY	CHK'D	APP'D	DATE
A	REVISED & RE-ISSUED FOR REVIEW	JL	KB	KB	02/22/2013
REVISIONS					



2/25/13

DRAWN	JL	BERENS RIVER WTP
DESIGN	KB	(REF 11095)
CHECKED	KB	CORIX DAF - 20
APPROVED	JY	PLANT LAYOUT & ELEVATION
DATE	02/15/2013	SHEET 4 OF 6
SCALE	NTS	DRAWING NO. 13001-01
		REV A

CORIX
Water Systems

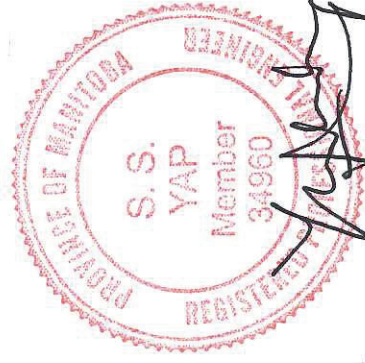
19900 8th AVENUE LANGLEY, B.C., CANADA V2I 3C2
PHONE : 604-455-3630 TOLL FREE : 1-800-500-8855
www.corix.com

NOTE

THIS DRAWING IS THE PROPERTY OF CORIX WATER SYSTEMS, AND CONTAINS PROPRIETARY AND CONFIDENTIAL INFORMATION WHICH MUST NOT BE DUPLICATED, USED OR DISCLOSED OTHER THAN EXPRESSLY AUTHORIZED BY CORIX WATER SYSTEMS.

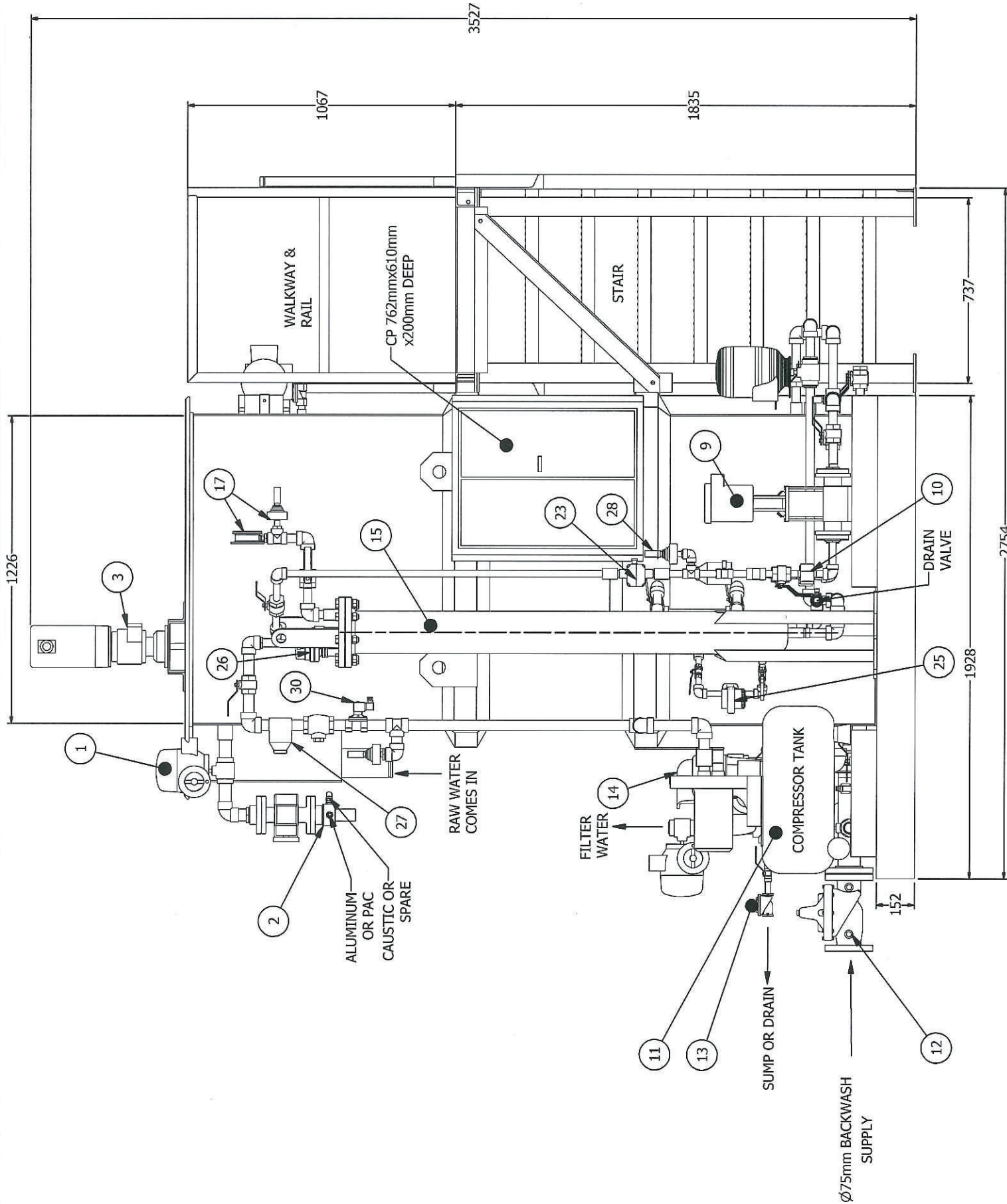
REV	DESCRIPTION	BY	CHK'D	APP'D	DATE
A	REVISED & RE-ISSUED FOR REVIEW	JL	KB	KB	02/22/2013

REVISIONS



2/25/13

Feb 25 2013



SECTION B

DRAWN	JL	NTS	DRAWING NO.	13001-01	REV	A
DESIGN	KB					
CHECKED	KB					
APPROVED	JY					
DATE	02/15/2013					
SCALE						

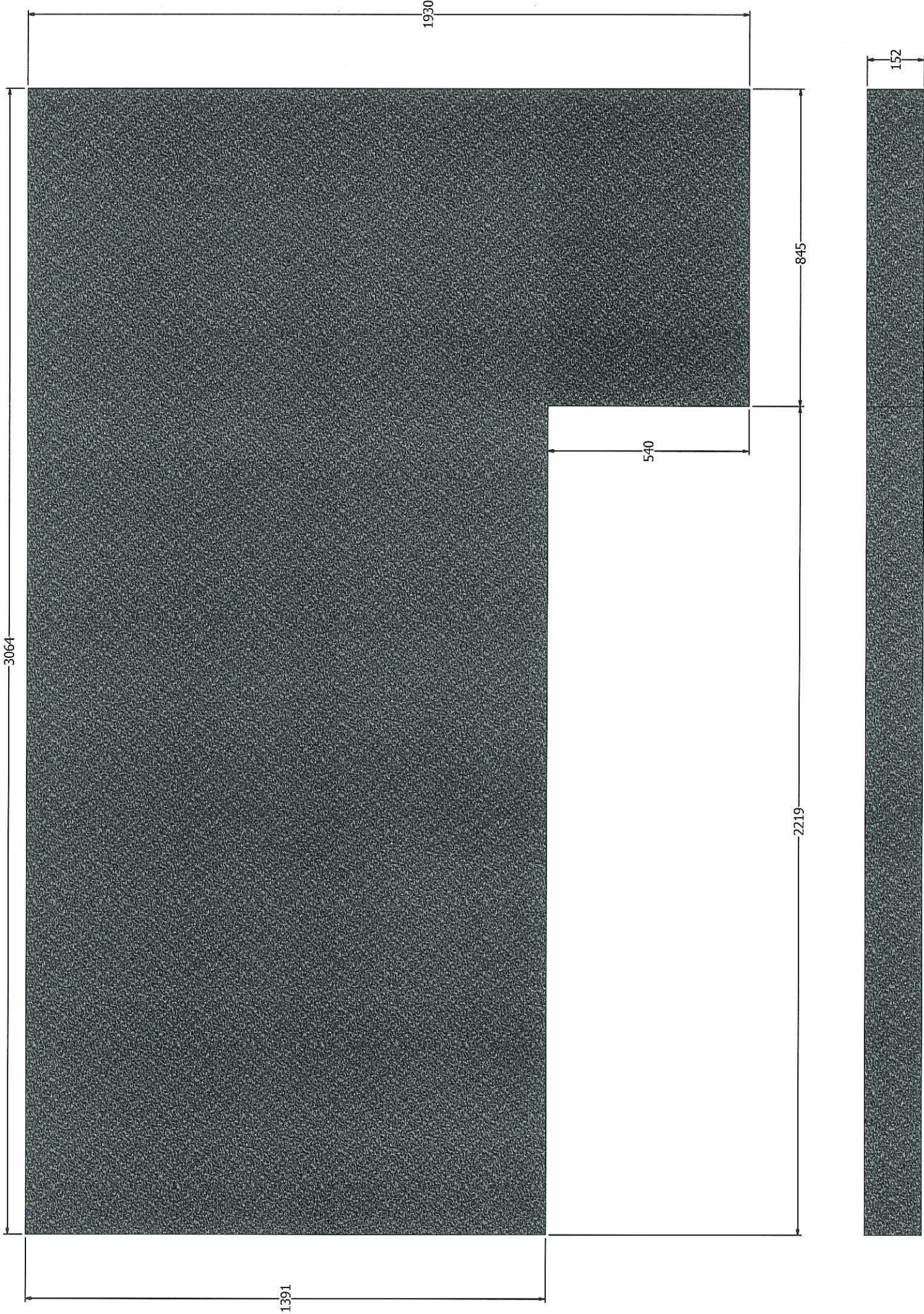
CORIX
Water Systems

1990 8th AVENUE LANGLEY, B.C., CANADA V2J 3C2
PHONE : 604-455-3630 TOLL FREE : 1-800-500-8855
www.corix.com

NOTE

THIS DRAWING IS THE PROPERTY OF CORIX WATER SYSTEMS, AND CONTAINS PROPRIETARY AND CONFIDENTIAL INFORMATION WHICH MUST NOT BE DUPLICATED, USED OR DISCLOSED OTHER THAN EXPRESSLY AUTHORIZED BY CORIX WATER SYSTEMS.

REV	DESCRIPTION	BY	CHK'D	APP'D	DATE
A	REVISED & RE-ISSUED FOR REVIEW	JL	KB	KB	02/22/2013
REVISIONS					



2/25/13

NOTES:

1. TANKS TO BE CONSTRUCTED OF ALUMINUM ALLOY 5086-H116 OR H32. ALL WELDS CONTINUOUS BOTH SIDES WHERE POSSIBLE. STRUCTURE TO BE HYDROSTATICALLY TESTED AFTER COMPLETION. EXTERIOR TO BE CLEANED WITH ' ACTION # 105'.
2. DRAIN VALVES TO BE BRASS WITH STAINLESS STEEL NIPPLE WHERE CONNECTED TO ALUMINUM.
3. INSTRUMENTATION PIPING TO BE SOLDERED COPPER DIELECTRICALLY ISOLATED FROM ALUMINUM TANK.
4. FOR LADDER LENGTH PLANT MAINTENANCE PAD IS ASSUMED 152mm (6") HIGH. (TO BE CONFIRMED).

DRAWN	JL	BERENS RIVER WTP
DESIGN	KB	(REF 11095)
CHECKED	KB	CORIX DAF - 20
APPROVED	JY	PLANT LAYOUT & ELEVATION
DATE	02/15/2013	SHEET 6 OF 6
SCALE	NTS	DRAWING NO. 13001-01
		REV A

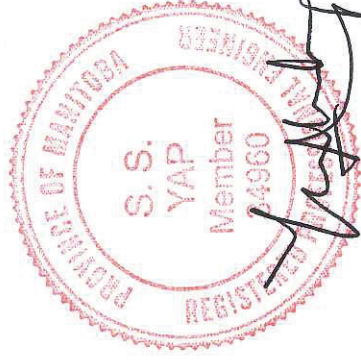
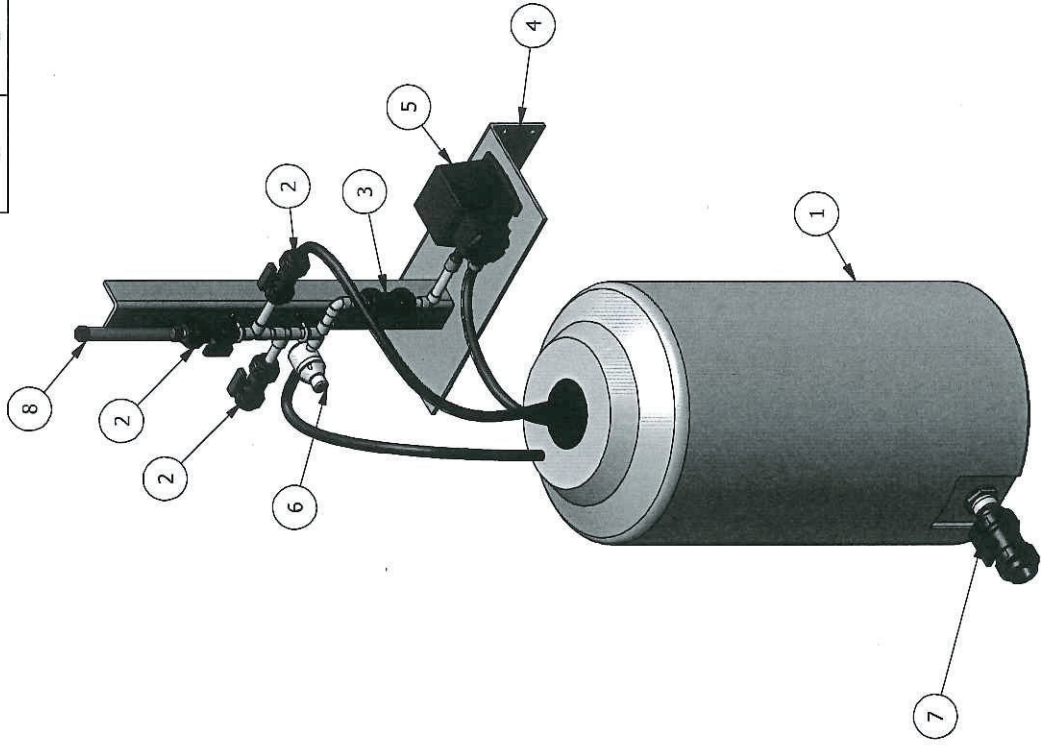
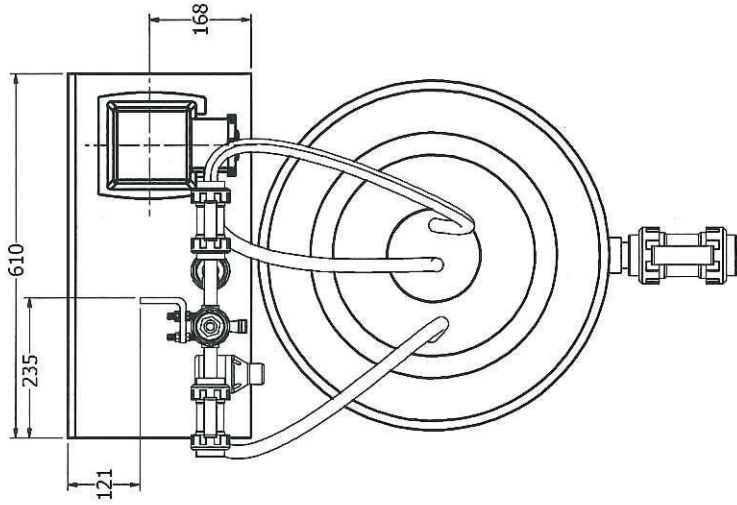
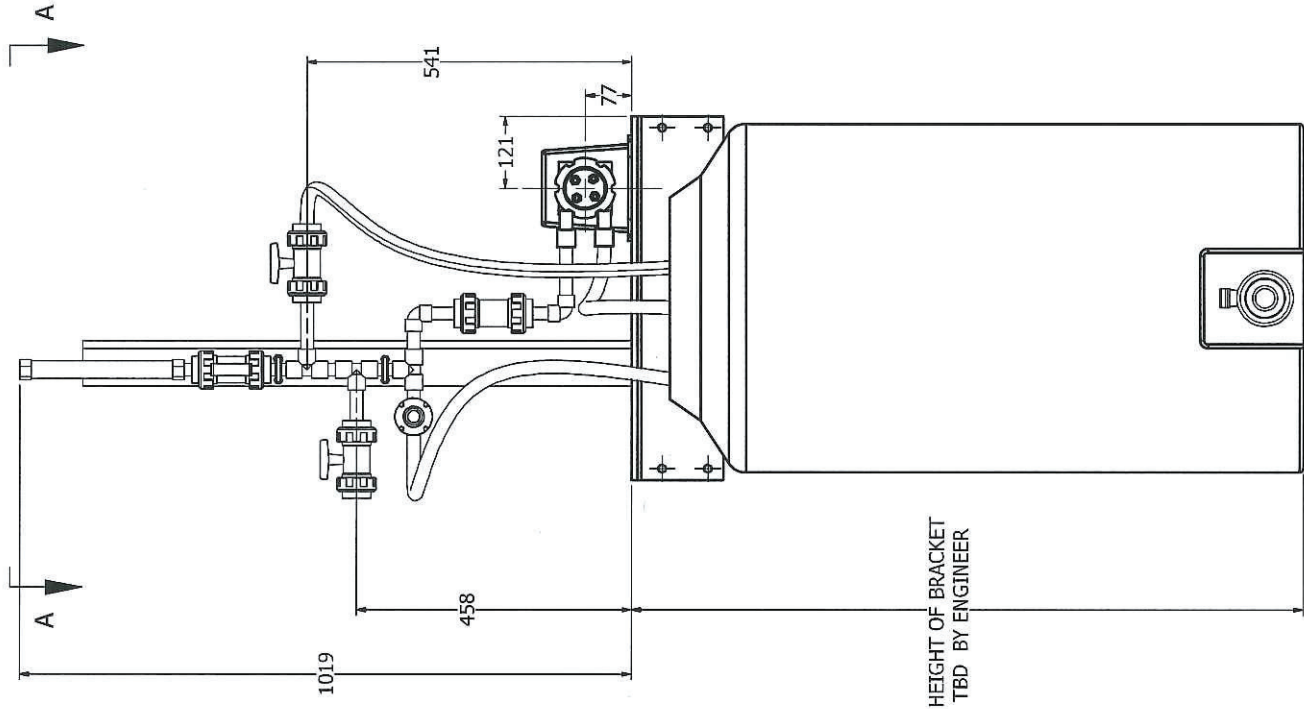


NOTE
THIS DRAWING IS THE PROPERTY OF CORIX WATER SYSTEMS, AND CONTAINS PROPRIETARY AND CONFIDENTIAL INFORMATION WHICH MUST NOT BE DUPLICATED, USED OR DISCLOSED OTHER THAN EXPRESSLY AUTHORIZED BY CORIX WATER SYSTEMS.

PLASTIC OR BITUMINOUS COATING ON TOP SURFACE OF SLAB

REV	DESCRIPTION	BY	CHK'D	APP'D	DATE
A	REVISED & RE-ISSUED FOR REVIEW	JL	KB	KB	02/22/2013
REVISIONS					

PARTS LIST		ITEM	QTY	PART NUMBER
		1	1	Twin Maple 65 USGal TANK
		2	3	Ø15 Spears PVC True Union Ball Valve
		3	1	Ø15 Spears PVC True Union Check Valve
		4	1	WALL MOUNTED BRACKET
		5	1	STENNER PUMPS
		6	1	Ø15 LMI Pressure Relief Valve
		7	1	Ø32 SPEARS PVC TRUE UNION BALL VALVE
		8	1	Ø50 Calibration Column



2/25/13

Feb 15 2013

DRAWN	RT	NTS	DRAWING NO.	REV
DESIGN	AA		13001-01-01	-
CHECKED	AA			
APPROVED	JY			
DATE	FEB/15/2013			
SCALE				

CORIX
Water Systems

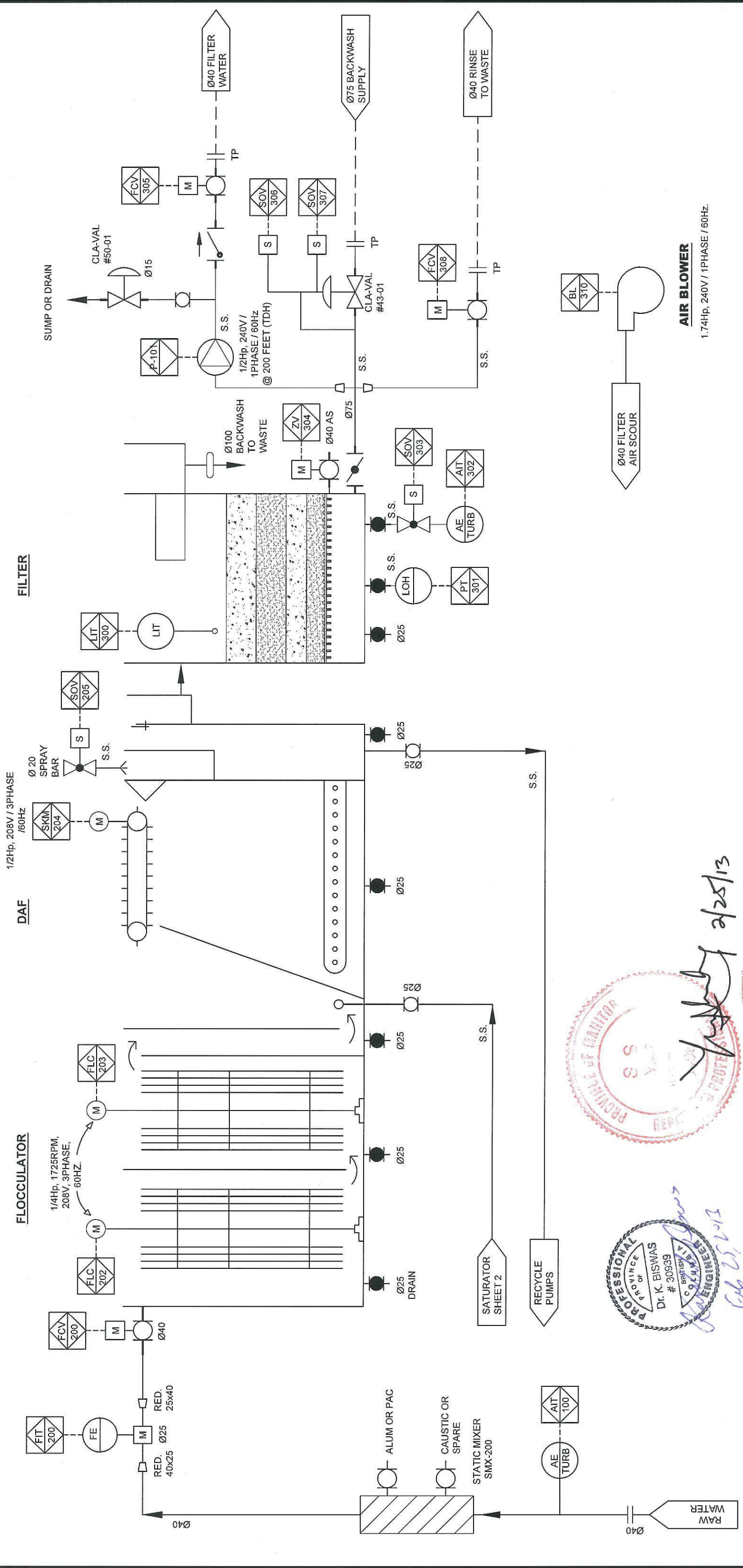
19900 84th AVENUE LANGLEY, B.C., CANADA V2L 3C2
PHONE : 604-555-3630 TOLL FREE : 1-800-900-8855
WWW.CORIX.COM

NOTE

THIS DRAWING IS THE PROPERTY OF CORIX WATER SYSTEMS AND CONTAINS PROPRIETARY AND CONFIDENTIAL INFORMATION WHICH MUST NOT BE DUPLICATED, USED OR DISCLOSED OTHER THAN EXPRESSLY AUTHORIZED BY CORIX WATER SYSTEMS.

REV	DESCRIPTION	BY	CHK'D	APP'D	DATE

REVISIONS



AIR BLOWER
1.74Hp, 240V / 1PHASE / 60Hz.

CORIX®
Water Systems

19900 84th AVENUE, LANGLEY, B.C. CANADA V2Y 3C2
PHONE : 604.455.3630 TOLL FREE : 1-800-500-8855
www.corix.com

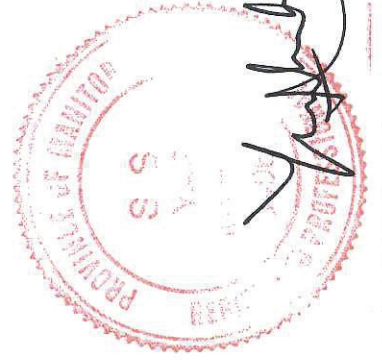
BERENS RIVER WTP
(JOB # 11095)
CORIX DAF-20

PROCESS AND INSTRUMENTATION DIAGRAM
SHEET 1 OF 3

DRAWN	JL
DESIGN	KB
CHECKED	KB
APPROVED	JY
DATE	01/29/13
SCALE	NTS
DRAWING NO.	13001-02
REV.	A

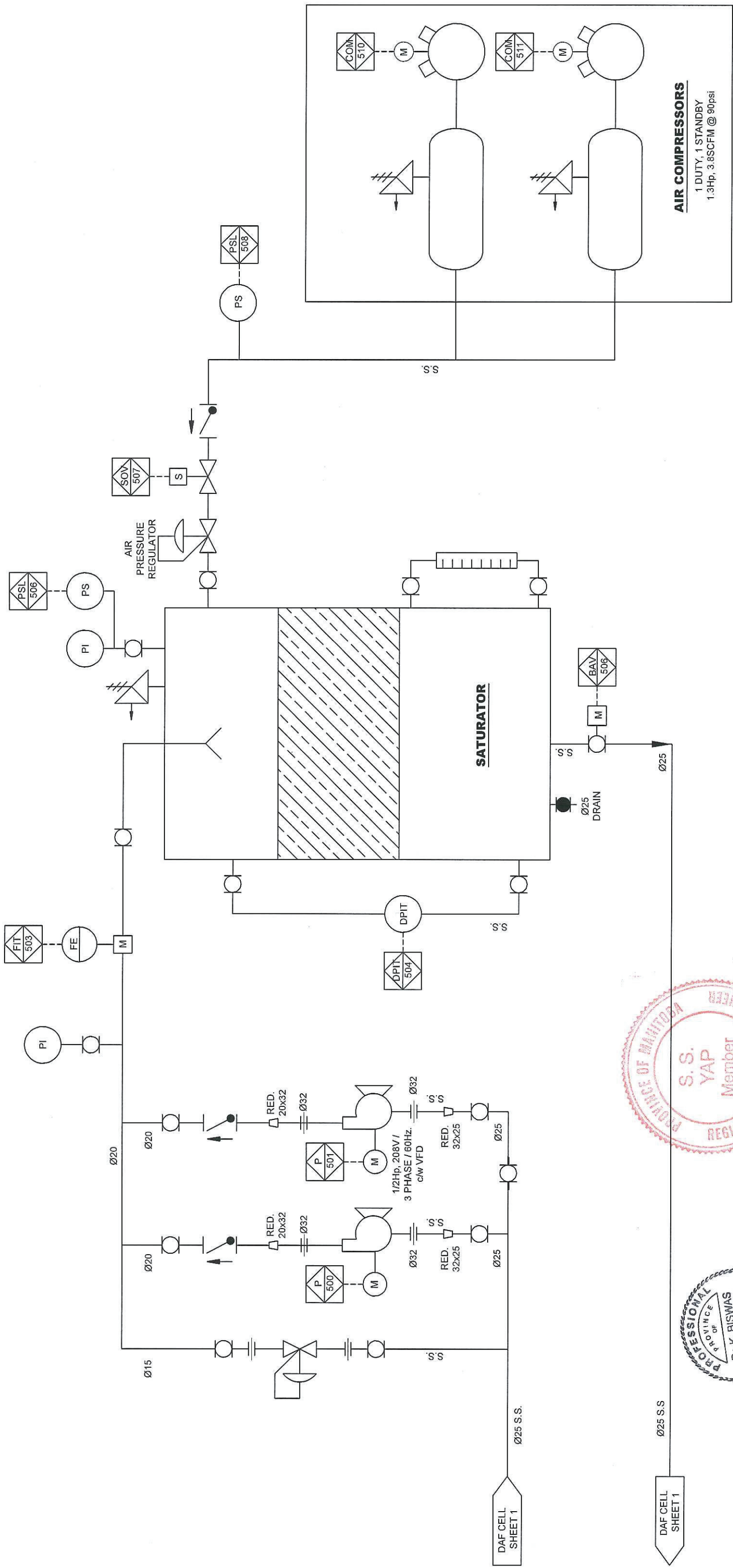
NOTE

THIS DRAWING IS THE PROPERTY OF CORIX WATER SYSTEMS, AND CONTAINS PROPRIETARY AND CONFIDENTIAL INFORMATION WHICH MUST NOT BE DUPLICATED, USED OR DISCLOSED OTHER THAN EXPRESSLY AUTHORIZED BY CORIX WATER SYSTEMS



REV	DESCRIPTION	BY	CHK'	APP'	DATE
A	REVISED & RESUBMITTED FOR REVIEW	JL	KB	JY	02/22/13

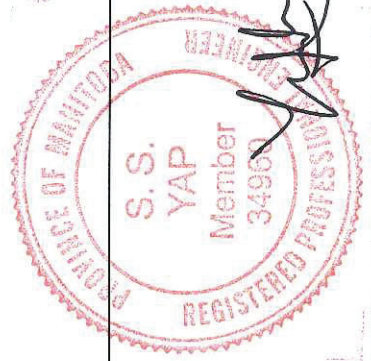
REVISIONS



AIR COMPRESSORS
 1 DUTY, 1 STANDBY
 1.3Hp, 3.8SCFM @ 90psi

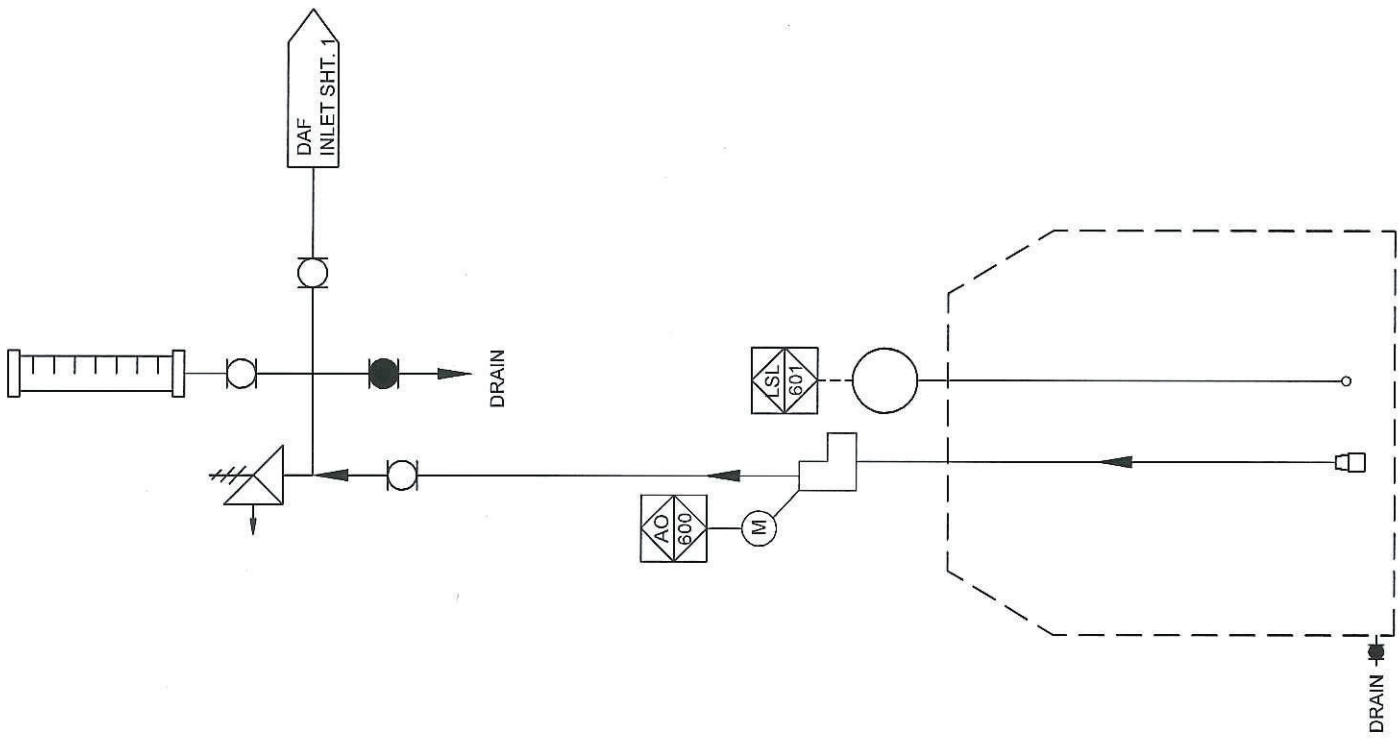
SATURATOR

AIR PRESSURE REGULATOR

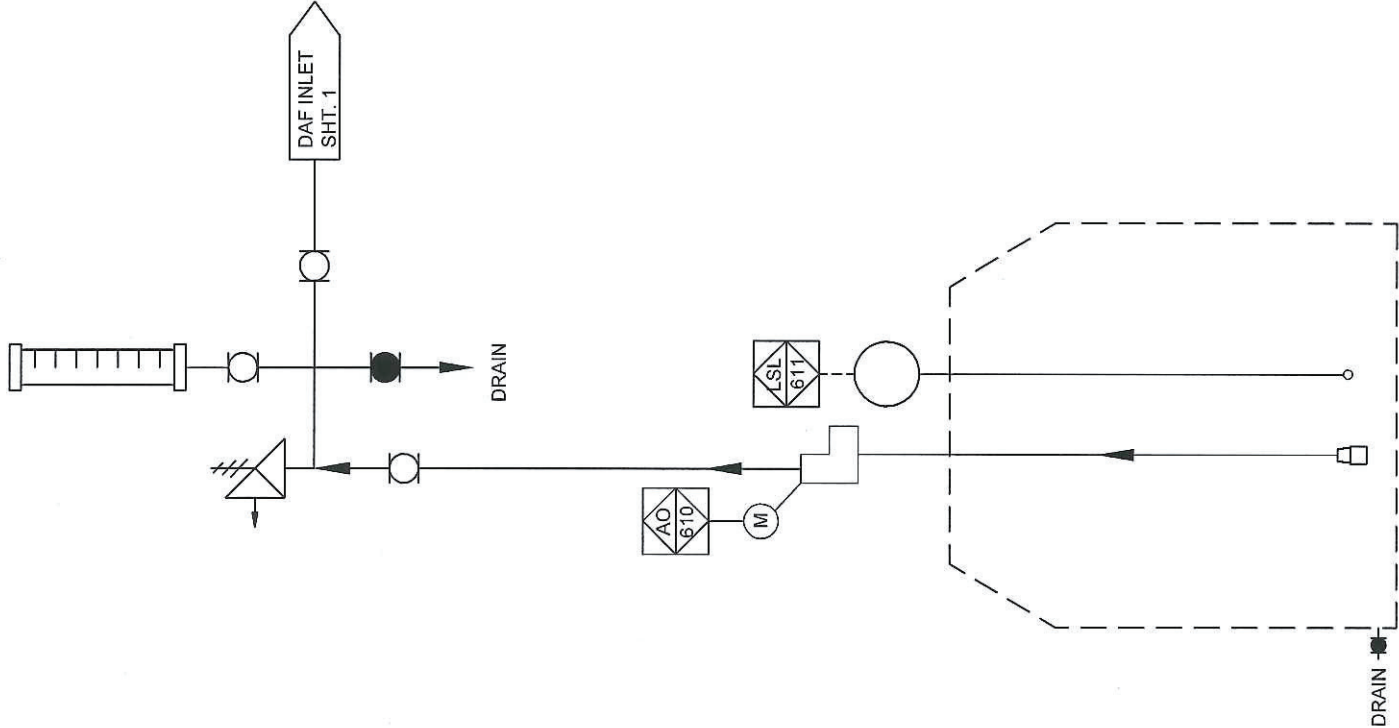


Handwritten signature and date: 2/25/13

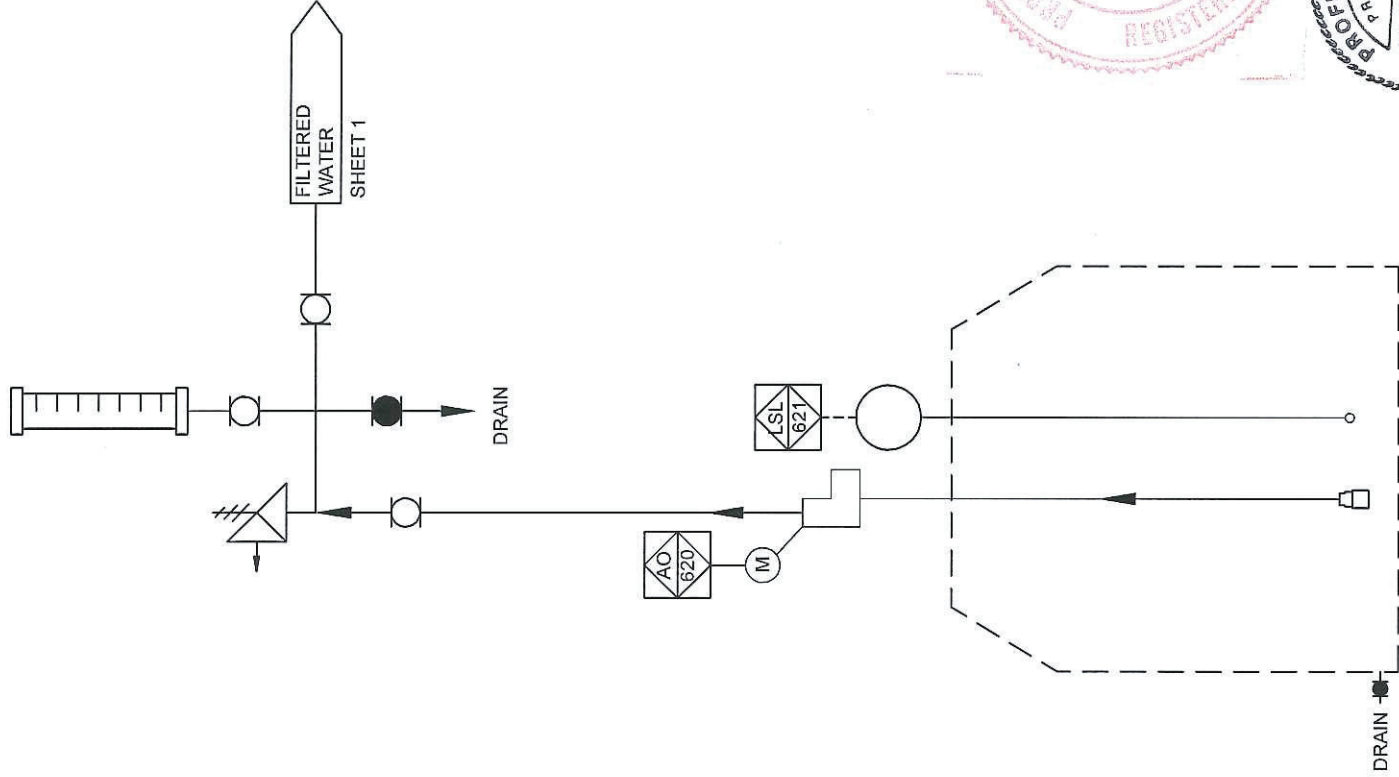
DRAWN		JL	BERENS RIVER WTP		SCALE	NTS	DRAWING NO.	13001-02	REV. A
DESIGN		KB	(JOB # 11095)						
CHECKED		KB	CORIX DAF-20						
APPROVED		JY	PROCESS AND INSTRUMENTATION DIAGRAM						
DATE		01/29/13	SHEET 2 OF 3						
CORIX® Water Systems		19900 84th AVENUE, LANGLEY, B.C. CANADA V2Y 3C2		www.corix.com					
NOTE		THIS DRAWING IS THE PROPERTY OF CORIX WATER SYSTEMS, AND CONTAINS PROPRIETARY AND CONFIDENTIAL INFORMATION WHICH MUST NOT BE DUPLICATED, USED OR DISCLOSED OTHER THAN EXPRESSLY AUTHORIZED BY CORIX WATER SYSTEMS							
REV	DESCRIPTION	BY	CHK'	APP'	DATE				
A	REVISED & RESUBMITTED FOR REVIEW	JL	KB	JY	02/22/13				
REVISIONS									



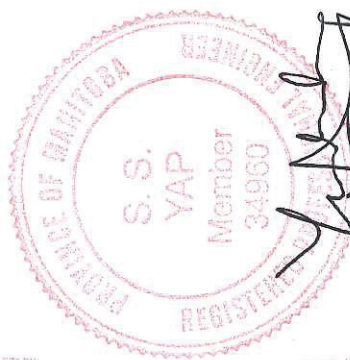
**ALUM OR PAC CHEMICAL
FEED SYSTEM**



**CAUSTIC CHEMICAL
FEED SYSTEM**



**SODIUM HYPOCHLORITE
FEED SYSTEM**



2/25/13

Fib 2/25 2013

<p>BERENS RIVER WTP (JOB # 11095) CORIX DAF-20 PROCESS AND INSTRUMENTATION DIAGRAM SHEET 3 OF 3</p>		<p>LL KB KB JY 01/29/13 NTS</p>	<p>DRAWING NO. 13001-02 REV. A</p>
<p>CORIX® Water Systems 19900 84th AVENUE, LANGLEY, B.C. CANADA V2Y 3C2 PHONE : 604.455.3630 TOLL FREE : 1.800.500.8855 www.corix.com</p>		<p>DRAWN DESIGN CHECKED APPROVED DATE</p>	<p>SCALE</p>
<p>NOTE THIS DRAWING IS THE PROPERTY OF CORIX WATER SYSTEMS, AND CONTAINS PROPRIETARY AND CONFIDENTIAL INFORMATION WHICH MUST NOT BE DUPLICATED, USED OR DISCLOSED OTHER THAN EXPRESSLY AUTHORIZED BY CORIX WATER SYSTEMS</p>			
<p>REVISIONS</p>		<p>BY</p>	<p>CHK' APP' DATE</p>
<p>REV</p>	<p>DESCRIPTION</p>	<p>JL KB JY</p>	<p>02/22/13</p>
A	REVISED & RESUBMITTED FOR REVIEW		