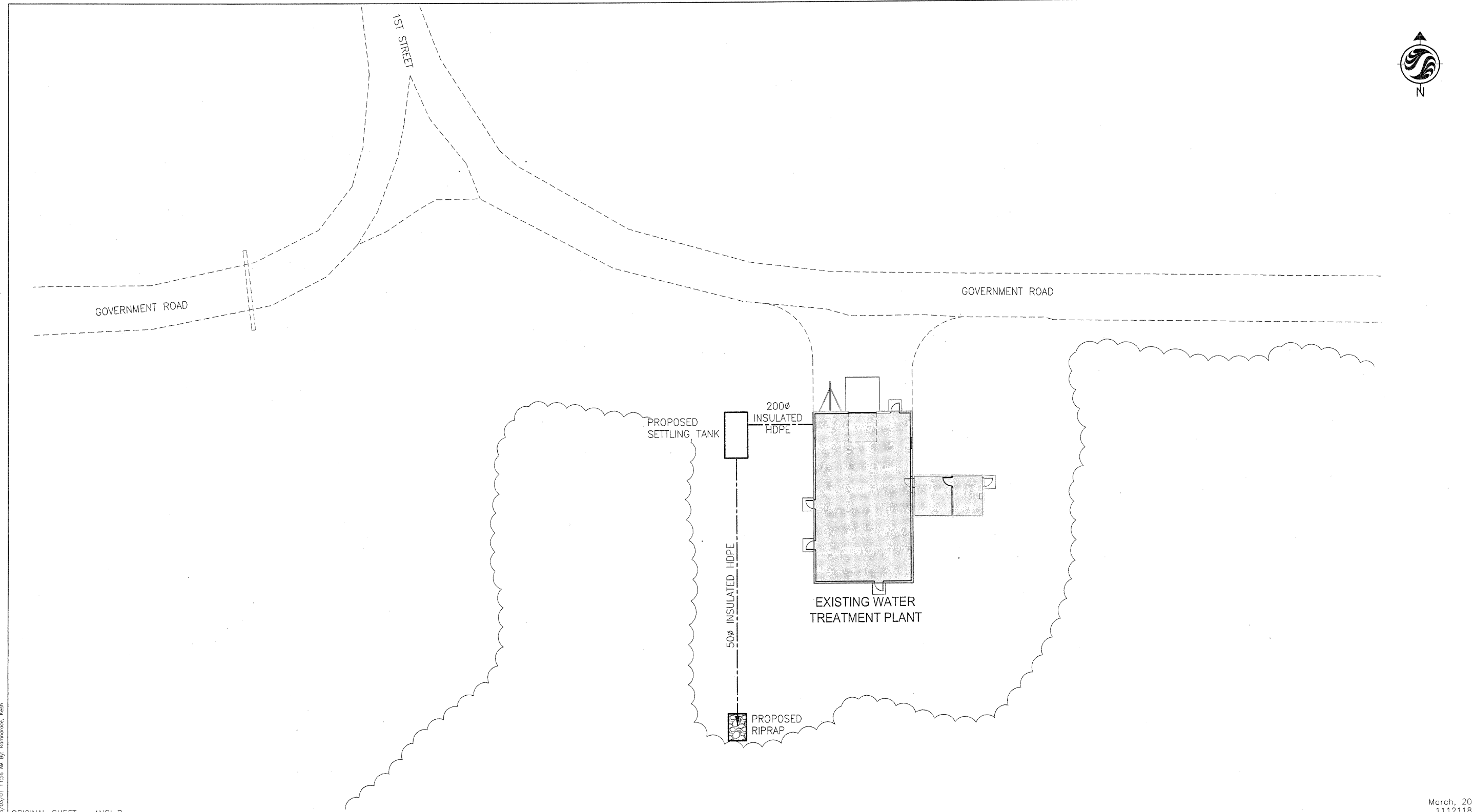


APPENDIX A


Preliminary Drawings



V:\11211830\11211830.dwg
 2013/03/01 11:56 AM By: Romarone, Kath

ORIGINAL SHEET - ANSI B

March, 2013
11211830


Stantec Consulting Ltd.
 905 Waverley Street
 Winnipeg MB Canada
 R3T 5P4
 Tel. 204.489.5900
 Fax. 204.453.9012
 www.stantec.com



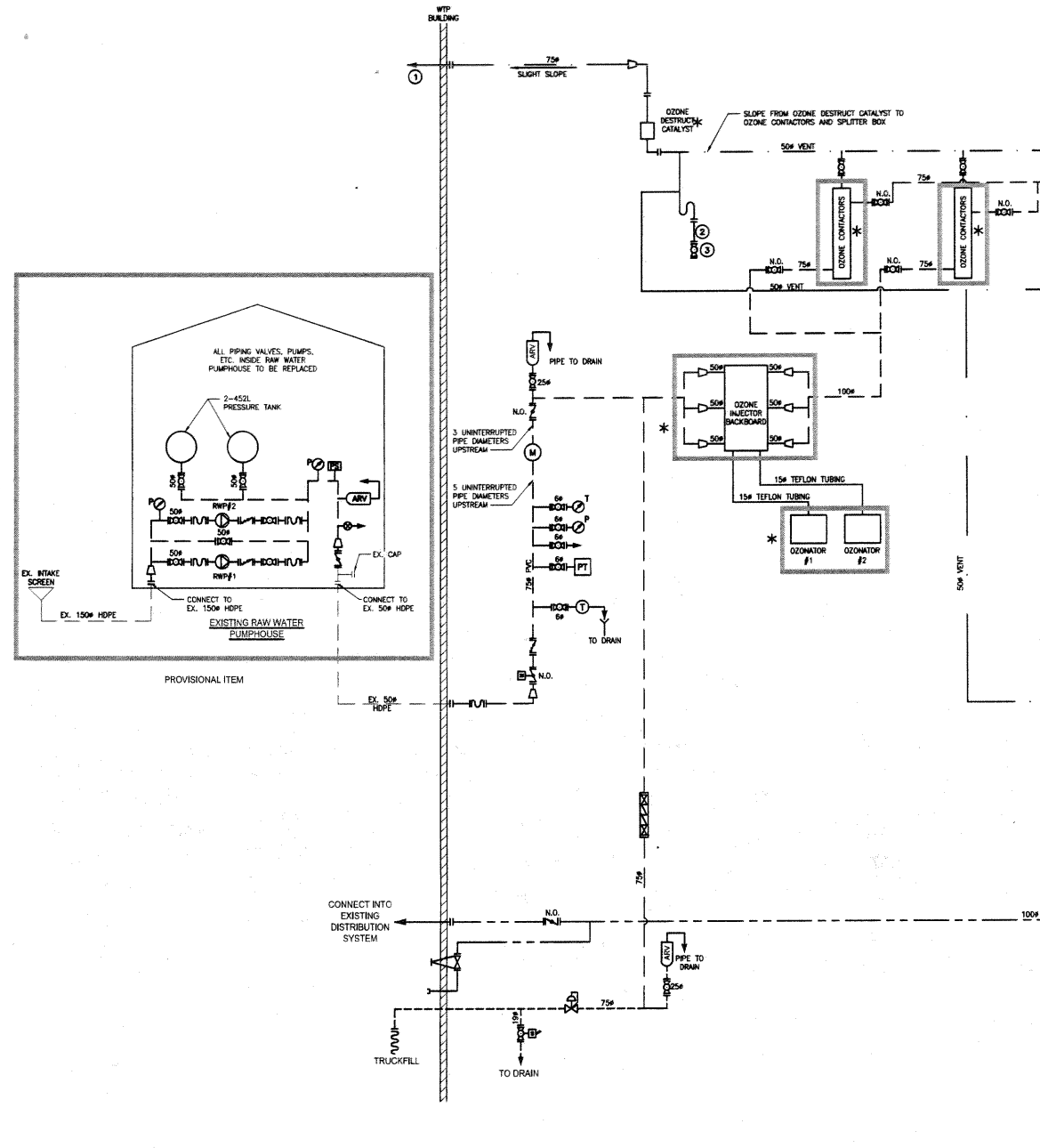
Notes

Client/Project
 THICKET PORTAGE COMMUNITY COUNCIL
 MANITOBA ABORIGINAL & NORTHERN AFFAIRS
 WATER TREATMENT PLANT
 Figure No.
FIG A1.0
 Title
SITE PLAN

V:\112\water\11211830\11830\11830-Appendix-A-1.dwg
 2013/02/27 8:43 AM By: De Koninck, Robert

ORIGINAL SHEET - ANSI B

February, 2013
 111211830



MATCHLINE A-A
 FOR CONTIATION SEE DWG. A-1.2

- GLOBE VALVE
- GATE VALVE
- BALL VALVE
- ELECTRICALLY ACTUATED BALL VALVE
- BUTTERFLY VALVE
- WATER CHECK VALVE
- SILENT SLOPE CHECK VALVE
- FLOW CONTROL VALVE
- PRESSURE RELIEF VALVE
- AIR RELEASE VALVE
- SOLENOID CONTROL
- MAGNETIC FLOW METER
- DOUBLE BACK FLOW PREVENTER
- REDUCER
- PRESSURE GAUGE
- TEMPERATURE GAUGE
- PRESSURE SWITCH
- PRESSURE TRANSMITTER
- PUMP
- INTAKE PUMP
- DOMESTIC PUMP
- BACKWASH PUMP
- HOLDING TANK PUMP
- SUPPLIED AS PART OF REVERSE OSMOSIS PACKAGE TURBIDITY METER
- FLEX PIPE
- CAMLOCK
- RAW WATER
- TREATED WATER
- CHEMICAL FEED
- PROCESS WASTEWATER
- VENTING PIPE

Stantec Consulting Ltd.
 905 Waverley Street
 Winnipeg MB Canada
 R3T 5P4
 Tel. 204.489.5900
 Fax. 204.453.9012
 www.stantec.com

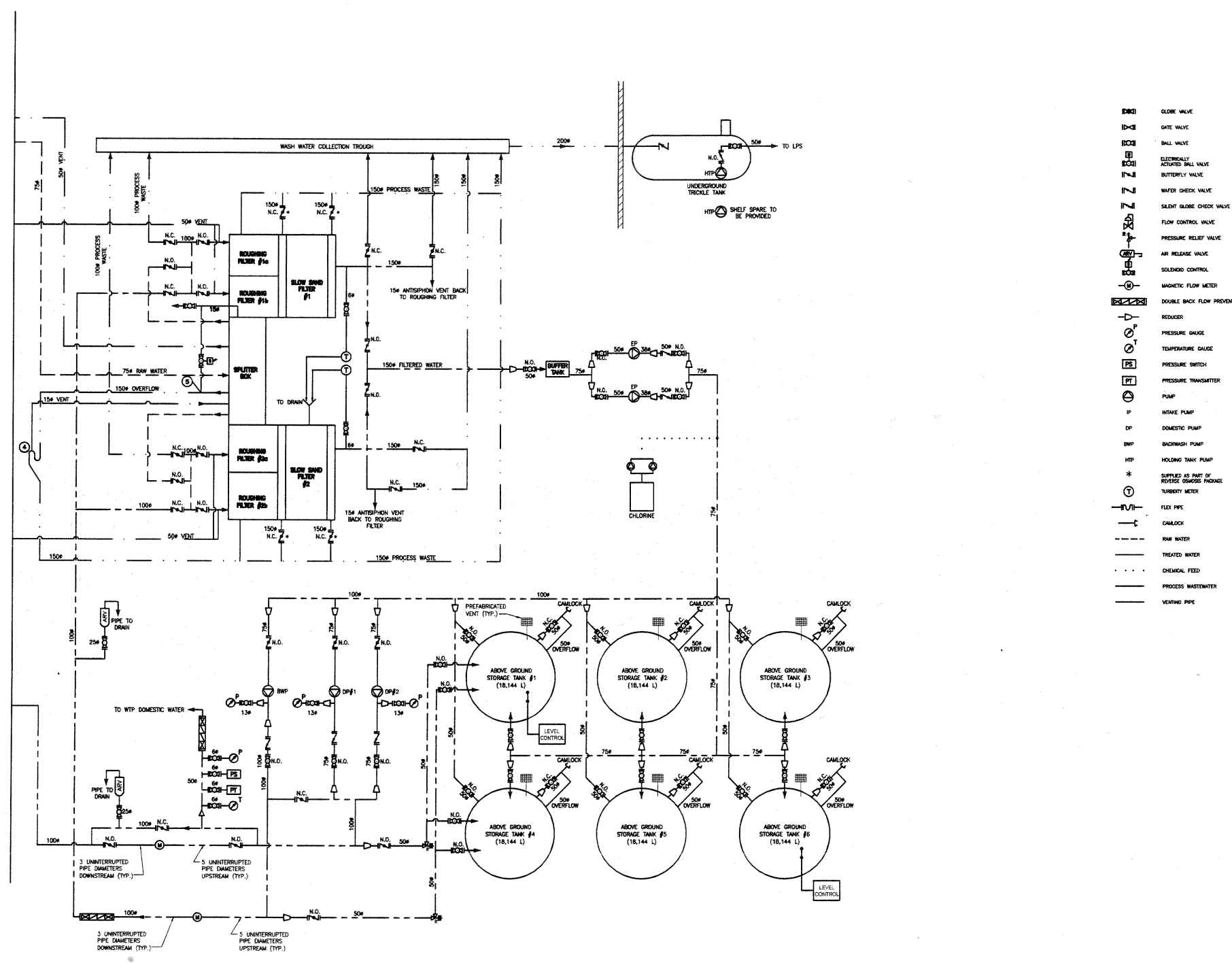
Legend

Notes

Client/Project
 THICKET PORTAGE COMMUNITY COUNCIL
 MANITOBA ABORIGINAL & NORTHERN AFFAIRS
 WATER TREATMENT PLANT
 Figure No.
A-1.1
 Title
**PROCESS FLOW
 SCHEMATIC 1**

V:\112\active\11211830\drawing\07_sketches\sheet_files\New Folder\11830-Appendix-a-1.dwg
 2013/02/27 8:44 AM By: De Koninck, Robert

MATCHLINE A-A
 FOR CONTINUATION SEE DWG. A-1.1



- GLOBE VALVE
- GATE VALVE
- BALL VALVE
- ELECTRICALLY ACTUATED BALL VALVE
- BUTTERFLY VALVE
- WATER CHECK VALVE
- SLIGHT GLOBE CHECK VALVE
- FLOW CONTROL VALVE
- PRESSURE RELIEF VALVE
- AIR RELEASE VALVE
- SOUNDING CONTROL
- MAGNETIC FLOW METER
- DOUBLE BACK FLOW PREVENTER
- REDUCER
- PRESSURE GAUGE
- TEMPERATURE GAUGE
- PRESSURE SWITCH
- PRESSURE TRANSMITTER
- PUMP
- INTAKE PUMP
- DOMESTIC PUMP
- BACKWASH PUMP
- HOLDING TANK PUMP
- SUPPLIES AS PART OF REVERSE GAUGE PACKAGE
- TURBIDITY METER
- FLEX PIPE
- CAMLOCK
- RAW WATER
- TREATED WATER
- CHEMICAL FEED
- PROCESS WASTEWATER
- VENTING PIPE

ORIGINAL SHEET - ANSI B

February, 2013
11211830



Stantec Consulting Ltd.
 905 Waverley Street
 Winnipeg MB Canada
 R3T 5P4
 Tel. 204.489.5900
 Fax. 204.453.9012
 www.stantec.com

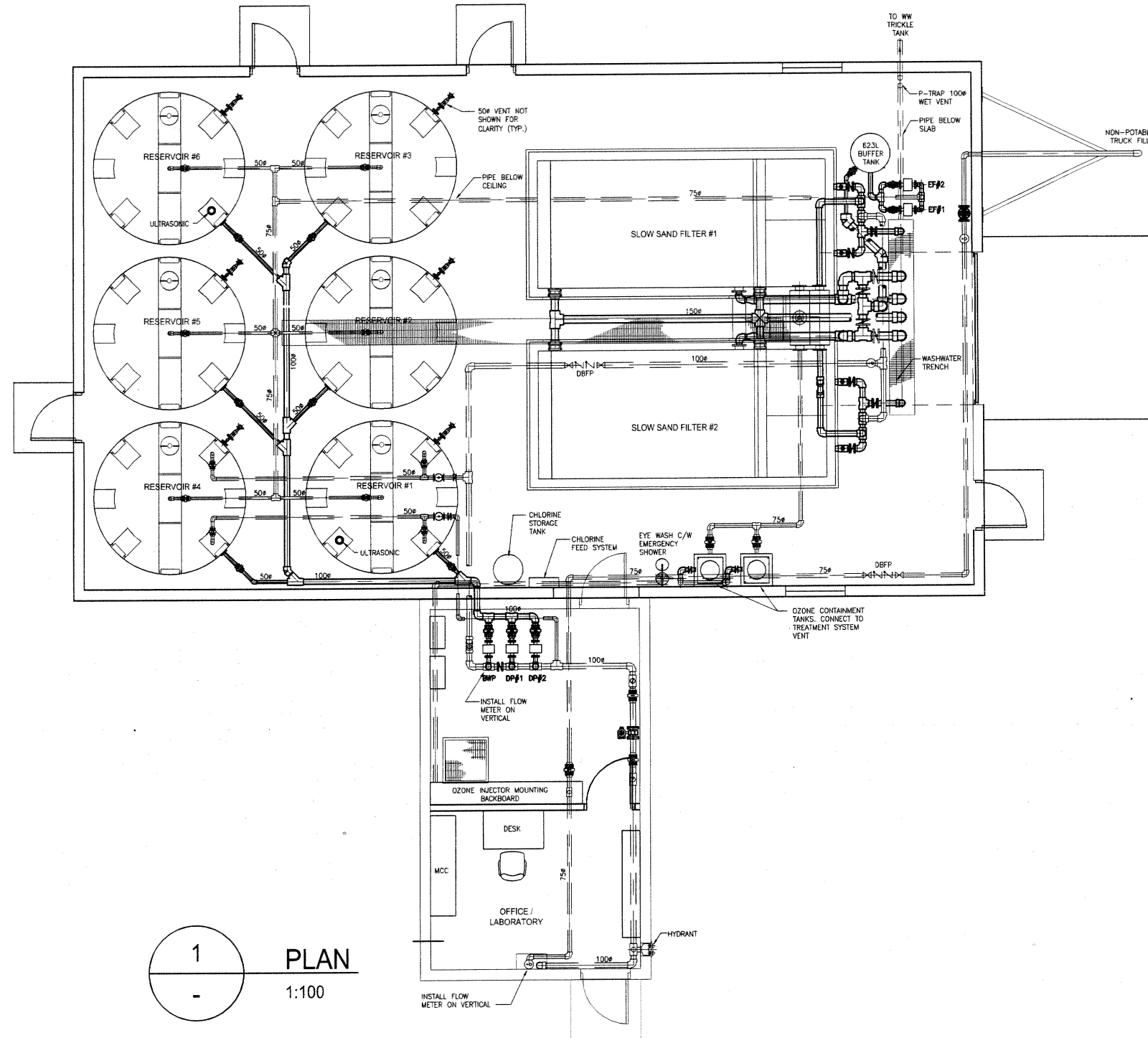
Legend

Notes

Client/Project
 THICKET PORTAGE COMMUNITY COUNCIL
 MANITOBA ABORIGINAL & NORTHERN AFFAIRS
 WATER TREATMENT PLANT
 Figure No.
 A-1.2
 Title
**PROCESS FLOW
 SCHEMATIC 2**

V:\112\mha\11211830\mha\11211830\sheet_files\New Folder\11830-Appendix-01.3.dwg
2013/02/27 9:44 AM By: De Kromick, Robert

ORIGINAL SHEET - ANSI B



1
-
PLAN
1:100

February, 2013
11211830



Stantec

Stantec Consulting Ltd.
905 Waverley Street
Winnipeg MB Canada
R3T 5P4
Tel. 204.489.5900
Fax. 204.453.9012
www.stantec.com

Legend

Notes

Client/Project

THICKET PORTAGE COMMUNITY COUNCIL
MANITOBA ABORIGINAL & NORTHERN AFFAIRS
WATER TREATMENT PLANT

Figure No.

A-1.3

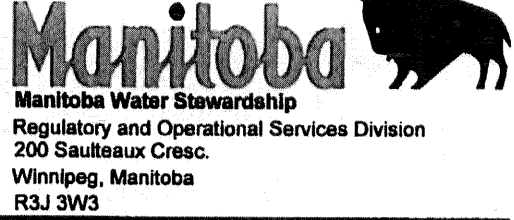
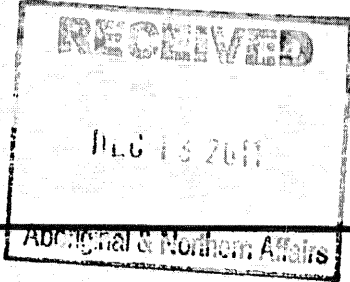
Title

PROCESS MAIN
FLOOR PLAN

APPENDIX B

Water Rights Licence

**Licence to Use Water for
Municipal
Purposes**



Project: Community of Thicket Portage

Issued in accordance with the provisions of
The Water Rights Act and regulations made thereunder.

Licence No.: **2011-054**

U.T.M.: Zone 14 584312 E
6129833 N

Know all men by these presents that in consideration of and subject to the provisos, conditions and restrictions hereinafter contained, the Minister of Water Stewardship for the Province of Manitoba does by these presents give full right and liberty, leave and licence to **Aboriginal and Northern Affairs** in the Province of Manitoba (hereinafter called "the LICENSEE") to divert water from the **Landing Lake** for **municipal** purposes by means of a pumping installation, pipeline(s) and any other appurtenances (hereinafter called "the WORKS"), the water to be used, and the WORKS to be placed, on the following described lands:

the Northeast Quarter of Section 10, in Township 73 and Range 2 West of the Principal Meridian in Manitoba,

, and more particularly shown on a plan filed in the office of the Executive Director, Regulatory and Operational Services Division, a copy of which plan is hereto attached and marked Exhibit "A" for **municipal** purposes on the following described lands:

Community of Thicket Portage

This licence is issued upon the express condition that it shall be subject to the provisions of The Water Rights Act and Regulations and all amendments thereto and, without limiting the generality of the aforesaid, to the following terms and conditions, namely:

1. The water shall be used solely for **municipal** purposes.
2. The WORKS shall be operated in accordance with the terms herein contained.
3. a) The maximum rate at which water may be diverted pursuant hereto shall not exceed **0.004 cubic metres per second (0.1 cubic feet per second)**.
b) The total quantity of water diverted in any one year shall not exceed **31 cubic decametres (25.13 acre feet)**.
4. Upon notification to the LICENSEE by the Minister or the Minister's agents, the LICENSEE shall not divert water from the **Landing Lake** during any period when the lake level at the pumping WORKS is at or below a specified elevation.
5. The LICENSEE does hereby remise, release and forever discharge Her Majesty the Queen in Right of the Province of Manitoba, of and from all manner of action, causes of action, claims and demands whatsoever which against Her Majesty the LICENSEE ever had, now has or may hereafter have, resulting from the use of water for **municipal** purposes.
6. In the event that the rights of others are infringed upon and/or damage to the property of others is sustained as a result of the operation or maintenance of the WORKS and the rights herein granted, the LICENSEE shall be solely responsible and shall save harmless and fully indemnify Her Majesty the Queen in Right of the Province of Manitoba, from and against any liability to which Her Majesty may become liable by virtue of the issue of this Licence and anything done pursuant hereto.
7. This Licence is not assignable or transferable by the LICENSEE and when no longer required by the LICENSEE this Licence shall be returned to the Executive Director, Regulatory and Operational Services Division, for cancellation on behalf of the Minister.
8. Upon the execution of this Licence the LICENSEE hereby grants the Minister or the Minister's agents the right of ingress and egress to and from the lands on which the WORKS are located for the purpose of inspection of the WORKS and the LICENSEE shall at all times comply with such directions and/or orders that may be given by the Minister or the Minister's agents in writing from time to time with regard to the operation and maintenance of the WORKS.
9. This Licence may be amended, suspended or cancelled by the Minister in accordance with The Water Rights Act by letter addressed to the LICENSEE at **Box 27, 59 Elizabeth Drive, Thompson, MB, R8N 1X4, Canada** and thereafter this Licence shall be determined to be at an end.
10. Notwithstanding anything preceding in this Licence, the LICENSEE must have legal control, by ownership or by rental, lease, or other agreement, of the lands on which the WORKS shall be placed and the water shall be used.
11. The term of this Licence shall be **twenty (20) years** and this Licence shall become effective only on the date of execution hereof by a person so authorized in the Department of Water Stewardship. The LICENSEE may apply for renewal of this Licence not more than 365 days and not less than 90 days prior to the expiry date.
12. This Licence expires automatically upon the loss of the legal control of any of the lands on which the WORKS are located or on which water is used, unless the Licence is transferred or amended by the Minister upon application for Licence transfer or amendment.

The Honourable the Minister of Water Stewardship

issued at the City of Winnipeg, in the Province of Manitoba, this 2 day of Dec A.D. 2011

My Commission expires _____

A COMMISSIONER FOR OATHS
in and for the Province of Manitoba

Witness

}

in the Province of Manitoba this _____ day of _____ A.D. 2011

SWORN BEFORE me at the _____

aforsaid and that I am subscribing witness thereto.

3. That the said instrument was executed at _____

and am satisfied that he/she is of the full age of eighteen years.

2. That I know the said _____

the within named party, execute the within instrument.

1. That I was personally present and did see _____

of _____ in the Province of Manitoba, MAKE OATH AND SAY:

I, _____ of the _____

Canada, PROVINCE OF MANITOBA To wit:

Witness

in the presence of

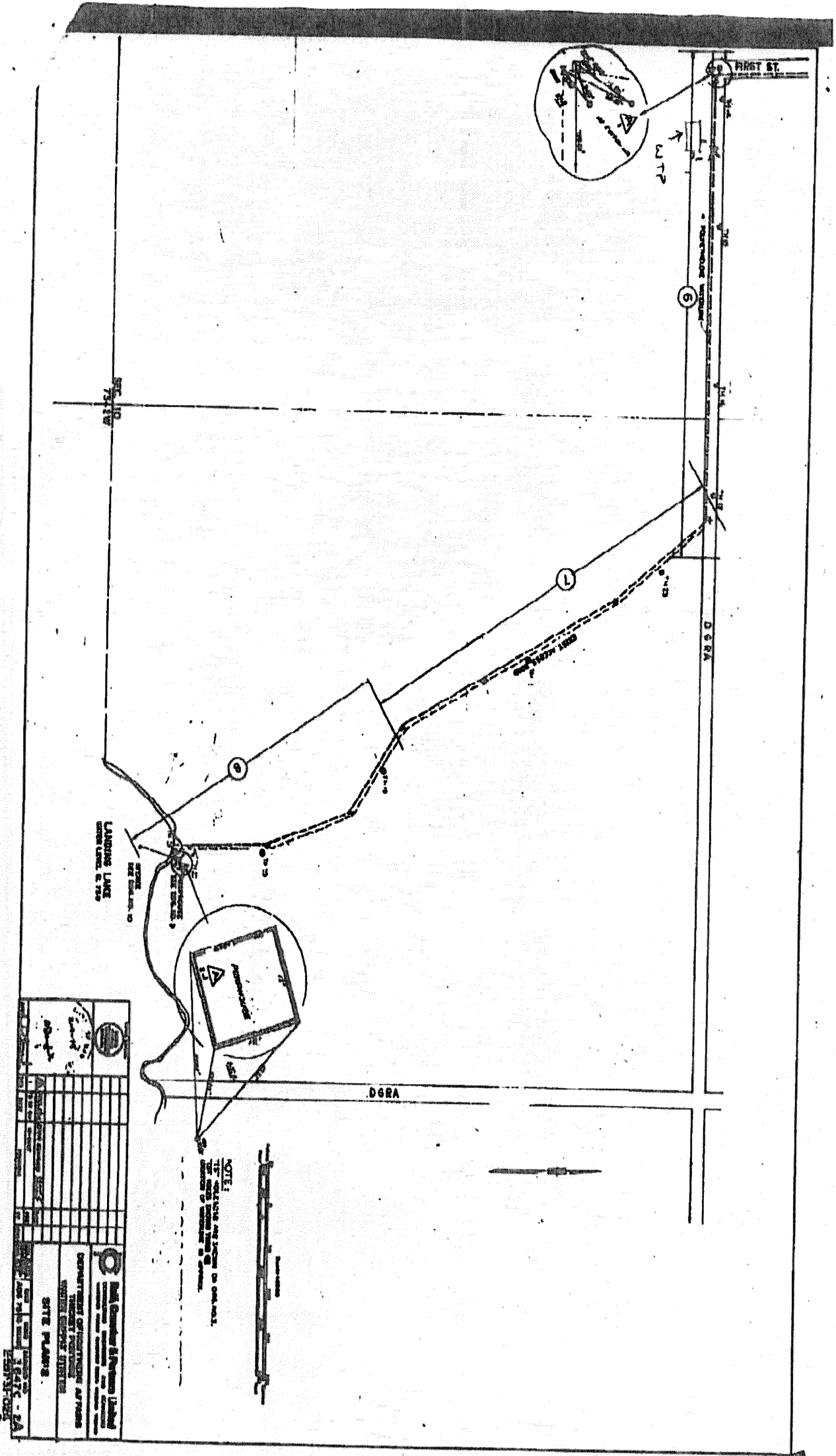
SIGNED, SEALED AND DELIVERED

Licensee

(Seal)

In witness whereof I the undersigned hereby agree to accept the aforesaid Licence on the terms and conditions set forth therein and hereby set my hand and seal this _____ day of _____ A.D. 2011

- 13. The LICENSEE shall keep records of daily and annual water use and shall provide a copy of such records to the Executive Director, Regulatory and Operational Services Division, not later than February 1st of the following year.
- 14. The LICENSEE shall install and maintain, on the pumping WORKS, a water measuring device acceptable to the Executive Director, Regulatory and Operational Services Division, that will accurately measure the instantaneous water flow and the accumulated annual volume of water diverted from the water source.
- 15. The LICENSEE shall hold and maintain all other regulatory approvals that may be required and shall comply with all other regulatory requirements for the construction, operation, or maintenance of the WORKS or to divert or use water as provided by this Licence.

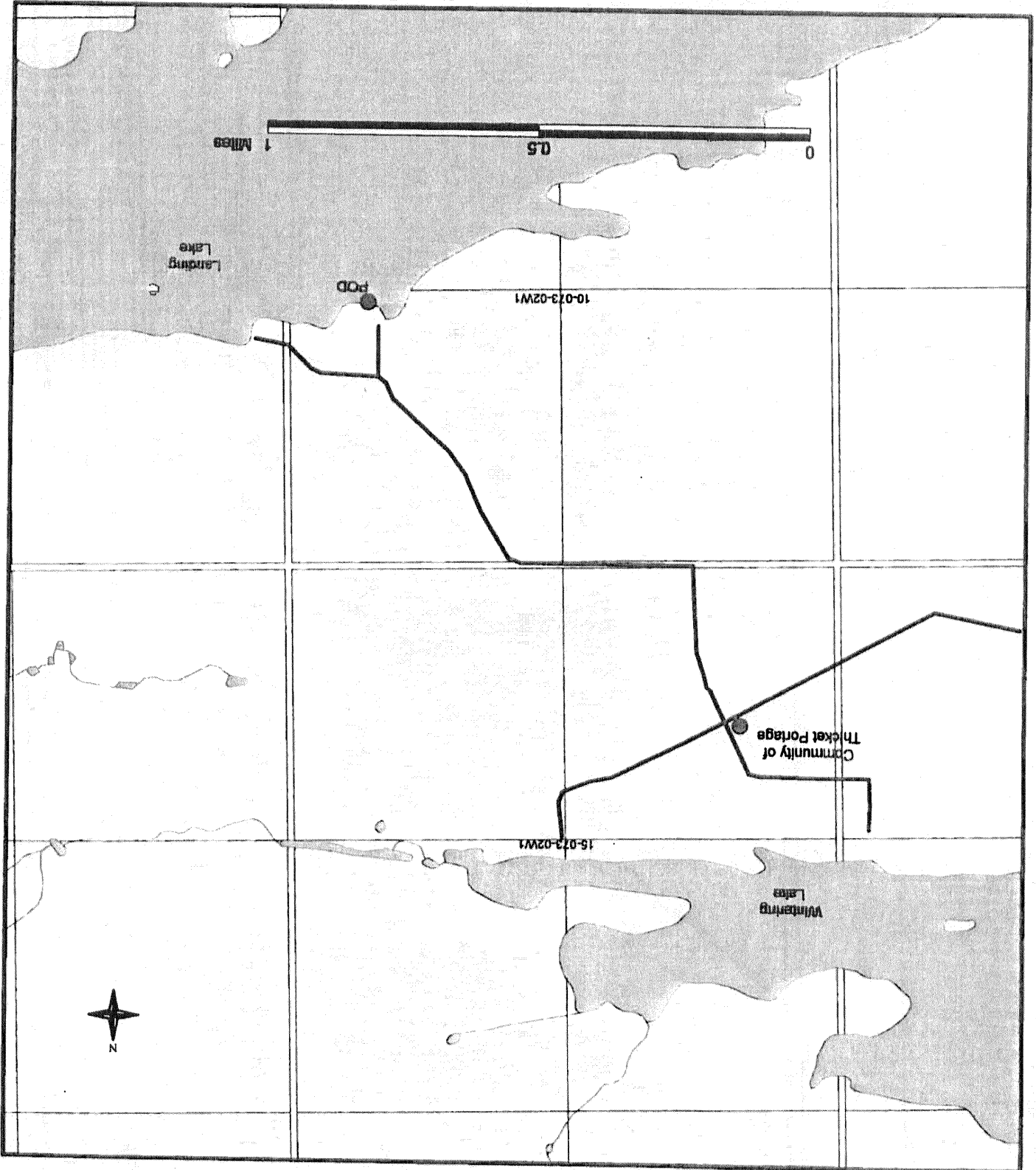


**LOCATION PLAN FOR
 ABORIGINAL AND NORTHERN
 AFFAIRS
 (COMMUNITY OF THICKET
 PORTAGE) NE 10-73-2W**

EXHIBIT: "A" Sheet 2 of 2
 THIS IS AN INTEGRAL PART OF
 LICENCE NO. 2011-054
 ISSUED UNDER THE WATER RIGHTS ACT

**LOCATION PLAN FOR
AFFAIRS
ABORIGINAL AND NORTHERN
(COMMUNITY OF THICKET PORTAGE)
NE 10-73-2W**

EXHIBIT: "A" Sheet 1 of 2
THIS IS AN INTEGRAL PART OF
LICENCE NO. 2011-054
ISSUED UNDER THE WATER RIGHTS ACT





Water Stewardship

*Regulatory and Operational Services Division
Regulatory Services Branch
Water Use Licensing Section
Box 16, 200 Saulteaux Crescent
Winnipeg MB R3J 3W3*

Telephone : 204-945-3983
Fax : 204-945-7419

December 7, 2011

File: Aboriginal and Northern Affairs -19, -20, -22

Brian Lundmark
Aboriginal and Northern Affairs
Box 27-59 Elizabeth Drive
Thompson, MB R8N 1X4

Dear Mr. Lundmark,

Herewith you will find your copy of Licence No. **2011-045, 2011-054 and 2011-064** issued under *The Water Rights Act*. Licence No. **2011-045, 2011-054 and 2011-064** will expire on **December 7, 2031**. You may apply for renewal of these licences not more than 365 days and not less than 90 days prior to the expiry date.

I have also enclosed a copy of a form that may be used to record your **daily** and annual water use as per Clause 13 of your licence. This form is to be completed each year and returned to this office no later than February 1st of the following year. Additional water use forms are available on-line at www.gov.mb.ca/waterstewardship under *Licensing, Regulation & Policy – Water Use Licensing – Forms*.

You may also e-mail your water usage to us at wateruse@gov.mb.ca. Please remember to include in your message (a) your Water Rights licence number (b) the year for which you are reporting, and (c) the unit of measurement (e.g. litres, US gallons, Imperial gallons, clock time, etc.) applicable to your system.

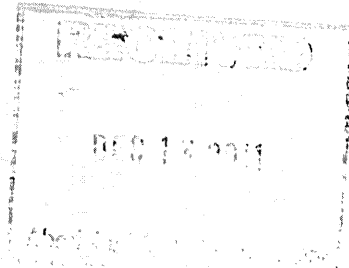
If you have any questions regarding this licence, please contact the undersigned at 204-945-3983.

Yours truly,

Christopher McCombe
Database Manager
Water Use Licensing Section

cc:

Enclosures



Annual Water Use Report for 20__

Manitoba Water Stewardship
 Regulatory and Operational Services Division
 Regulatory Services Branch
 Water Use Licensing Section

Box 16, 200 Saulteaux Cresce
 Winnipeg MB R3J 3W3
 Telephone : (204) 945-7419
 Fax : (204) 945-7419



DUE FEBRUARY 1st

Office Use Only File No.: _____ Basin _____

LICENSEE'S NAME: _____ LICENCE NO.: _____ ADD No. or Nos.: _____

POST OFFICE ADDRESS: _____ PHONE NO.: _____ CELL NO.: _____

SOURCE OF WATER SUPPLY (CHECK ONE)
 WELL:
 SURFACE WATER: _____
(Name of River, Creek, etc.)

LOCATION OF PUMP (AND/OR WELL)
 PUMP RATE: _____ US.gal/min.
 OR OTHER (SPECIFY) _____

QUARTER	SECTION	TOWNSHIP	RANGE	OR OTHER (SPECIFY)

LOCATION OF IRRIGATED FIELD: _____ TYPE OF CROP: _____

ACRES IRRIGATED: _____ MEASURING DEVICE: watermetre pivot clock well or pump clock inches applied

TYPE OF SYSTEM: pivot gun drip handset IF WATER METER, STATE UNITS: liters cubic metres US.gals imp.gals

DOES THIS PROJECT HAVE AN ENVIRONMENT ACT LICENCE: Yes No No. _____

ARE YOU REPORTING TO ANOTHER ENTITY IF SO WHO: _____

Comments : _____