



May 18, 2023

Manitoba Conservation and Climate  
Environmental Approvals  
1007 Century Street  
Winnipeg, MB R3H 0W4

Attention: Edwin Yazon, P.Eng.

**RE: LANDFILL DISPOSAL CELL CONSTRUCTION (CELL 34)  
BRADY ROAD RESOURCE MANAGEMENT FACILITY (CLIENT FILE NO.: 5556.00)**

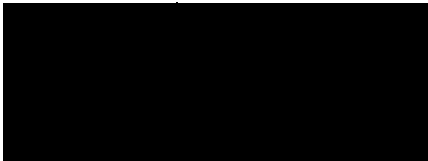
---

Following up on our communications (conversation and email) earlier this year February, the attached construction drawings are being submitted to satisfy requirements of Conditions 23 & 55 of Environment Act License 3081R. The drawing set includes 10 sheets detailing the construction of the waste disposal cell base and sides, and leachate collection system for a new disposal cell (Cell 34), as per parts (a), (b) and (c) of Condition 55.

There are no planned alterations to the waste disposal cell with respect to property lines or drainage systems so no additional information is being provided towards parts (d) or (e) of Condition 55. These items were addressed in previous submittals to your department, i.e. Environment Act Proposal (December 2011) and Stormwater Management Plan (September 2014).

As per Condition 25, we will notify you when construction is commencing (scheduled for June 2023) to develop a schedule to facilitate inspections by your department.

Sincerely,



Ash Raichura, P.Eng.  
Project Coordinator

AR/ar

Attachment (Cell 34 drawing set – 10 sheets)

c: Michael Gordichuk, Manager of Solid Waste Services (email)  
Chris Kozak, Superintendent of Operations (email)

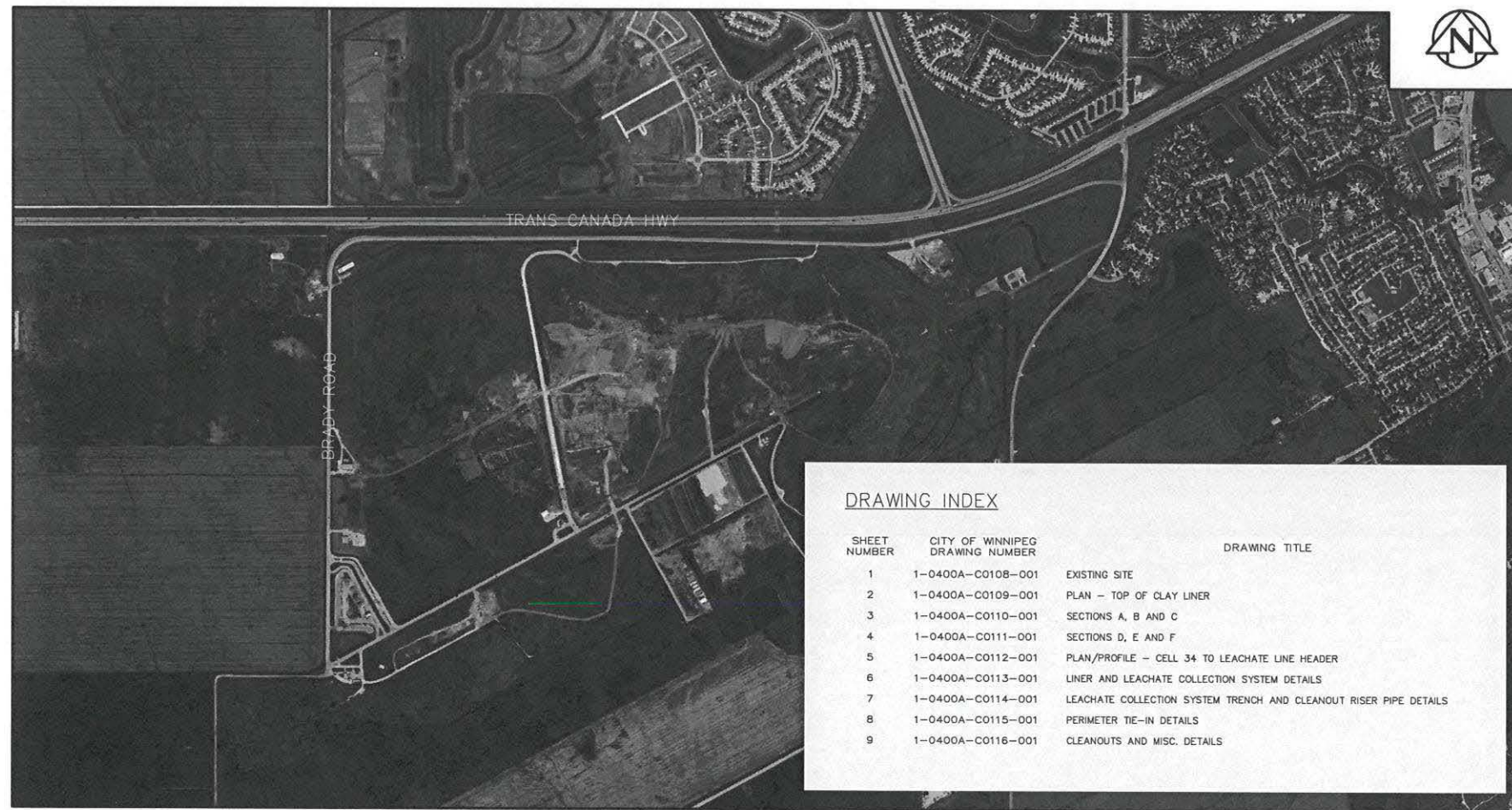


# THE CITY OF WINNIPEG

WATER AND WASTE DEPARTMENT  
SOLID WASTE SERVICES DIVISION

CELL 34: WASTE DISPOSAL CELL CONSTRUCTION  
AT THE BRADY ROAD RESOURCE MANAGEMENT FACILITY

TENDER NO. 627-2022



KEY MAP

### DRAWING INDEX

SHEET NUMBER	CITY OF WINNIPEG DRAWING NUMBER	DRAWING TITLE
1	1-0400A-C0108-001	EXISTING SITE
2	1-0400A-C0109-001	PLAN - TOP OF CLAY LINER
3	1-0400A-C0110-001	SECTIONS A, B AND C
4	1-0400A-C0111-001	SECTIONS D, E AND F
5	1-0400A-C0112-001	PLAN/PROFILE - CELL 34 TO LEACHATE LINE HEADER
6	1-0400A-C0113-001	LINER AND LEACHATE COLLECTION SYSTEM DETAILS
7	1-0400A-C0114-001	LEACHATE COLLECTION SYSTEM TRENCH AND CLEANOUT RISER PIPE DETAILS
8	1-0400A-C0115-001	PERIMETER TIE-IN DETAILS
9	1-0400A-C0116-001	CLEANOUTS AND MISC. DETAILS

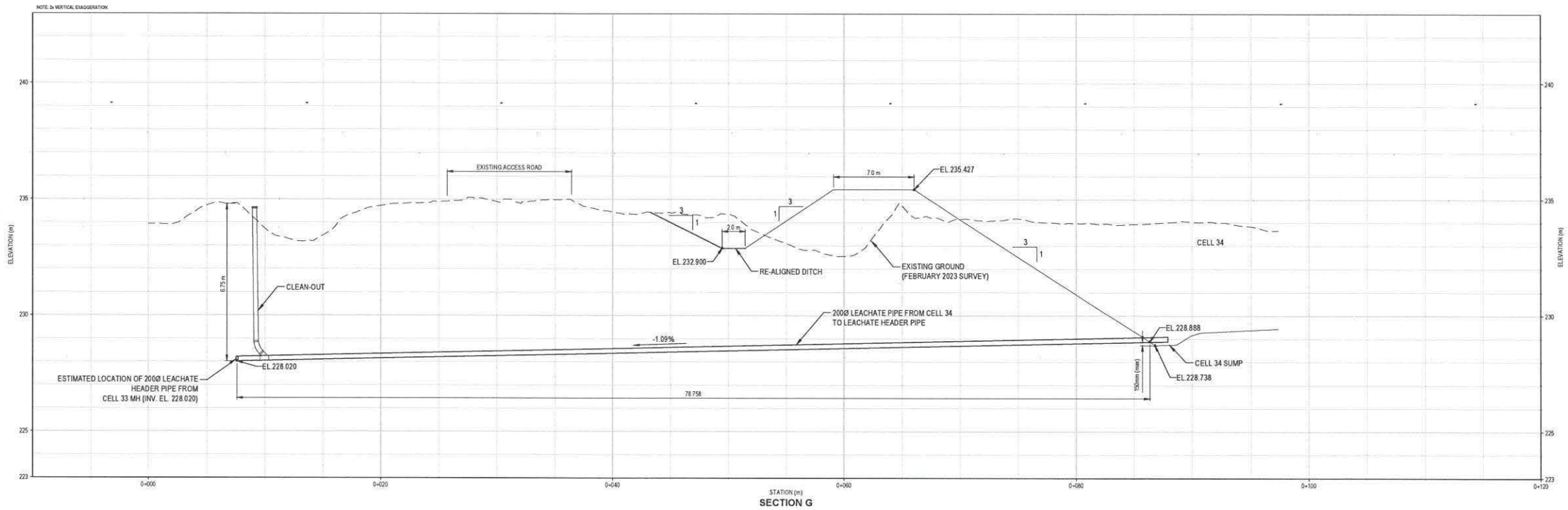
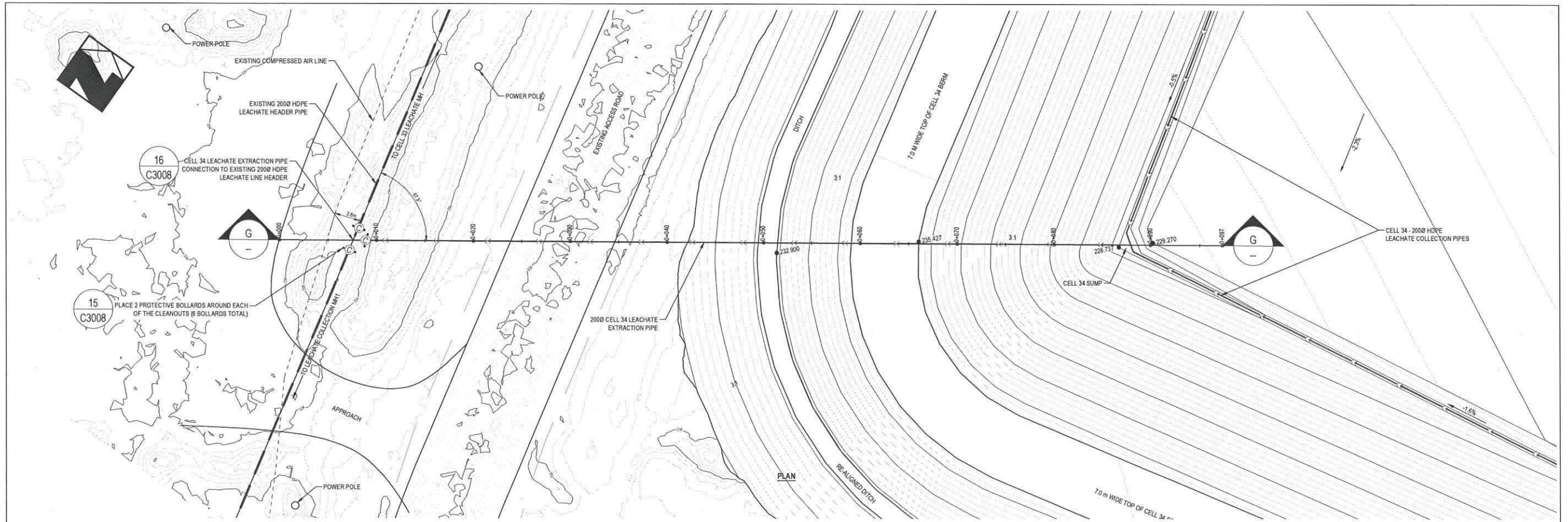


<p><b>LEGEND</b></p> <ul style="list-style-type: none"> <li>— LEACHATE HEADER PIPES</li> <li>— FENCE LINE</li> <li>— PERIMETER DITCH</li> <li>— 231.0 MAJOR CONTOUR</li> <li>— MINOR CONTOUR</li> <li>● LANDFILL WELLS &amp; LINES</li> <li>□ CELLS BOUNDARY</li> <li>■ CELL (NEW)</li> <li>— LANDFILL ACCESS ROAD</li> <li>— LEACHATE COLLECTION PIPE</li> <li>- - - COMPRESSED AIR LINE</li> <li>● 2022 BOREHOLES (BH-16-##)</li> <li>● HISTORICAL BOREHOLES (BH-16-##)</li> <li>GCP GROUND CONTROL</li> <li>● LEACHATE COLLECTION MANHOLE</li> <li>— EXISTING CULVERT</li> <li>— PROPOSED CULVERT</li> </ul>	<p><small>NOTES:</small></p> <p>BASED ON TERRAIN SURVEY DATA AND GROUND SURVEY PROVIDED BY THE CITY OF WINNIPEG</p> <p>PROJECTION: UTM ZONE 18N</p> <p>SCALE: AS SHOWN</p>	<p>S.W.S. GCP: N: 5513301.225 E: 629498.188 ELEV: 234.093</p> <p>CONSTRUCTION COMPLETION DATE: YYYY MM DD</p> <table border="1" style="width: 100%; border-collapse: collapse;"> <tr> <td>NO.</td> <td>ISSUED FOR TENDER</td> <td>MAR 29</td> <td>AR</td> </tr> <tr> <td></td> <td>REVISIONS</td> <td>DATE</td> <td>BY</td> </tr> </table> <p>SCALE: HORIZONTAL AS SHOWN VERTICAL N/A</p> <p>DATE: 2023 03 28</p> <p>PLOT DATE: 2023 03 28</p>	NO.	ISSUED FOR TENDER	MAR 29	AR		REVISIONS	DATE	BY	<p>ENGINEER'S SEAL</p> <div style="border: 1px solid black; width: 50px; height: 50px; margin: 0 auto;"></div> <p>CONSULTANT DRAWING NUMBER C3000</p>	<p style="text-align: center;"><b>THE CITY OF WINNIPEG</b> WATER AND WASTE DEPARTMENT SOLID WASTE SERVICES</p> <p style="text-align: center;"><b>Winnipeg</b></p> <p style="text-align: center;">BRADY ROAD RESOURCE MANAGEMENT FACILITY AREA A CONSTRUCTION - CELL 34</p> <p style="text-align: center;">EXISTING SITE</p>	<p>SHEET 1 OF 9</p> <p>CITY DRAWING NUMBER 1-0400A-C0108-001</p>
NO.	ISSUED FOR TENDER	MAR 29	AR										
	REVISIONS	DATE	BY										










NOTES:  
 1. BASED ON SURVEY DATA PROVIDED BY THE CITY OF WINNIPEG.  
 2. PROJECTIONS SHALL BE IN UTM.  
 3. SEE ALL NOTES FOR TENDER.

B.M. SVS GCP: N: 0513301225 E: 629498188	
ELEV.: 234.092	
CONSTRUCTION COMPLETION DATE: YYYY MM DD	
DESIGNED BY	ARR
CHECKED BY	ARR
DRAWN BY	DRG
APPROVED BY	ARR
SCALE:	HORIZONTAL AS SHOWN
	VERTICAL N/A
ISSUED FOR TENDER	MAR 29/23
NO.	REVISIONS
DATE	BY
2023 03 28	
PLOT DATE: 2023 03 28	

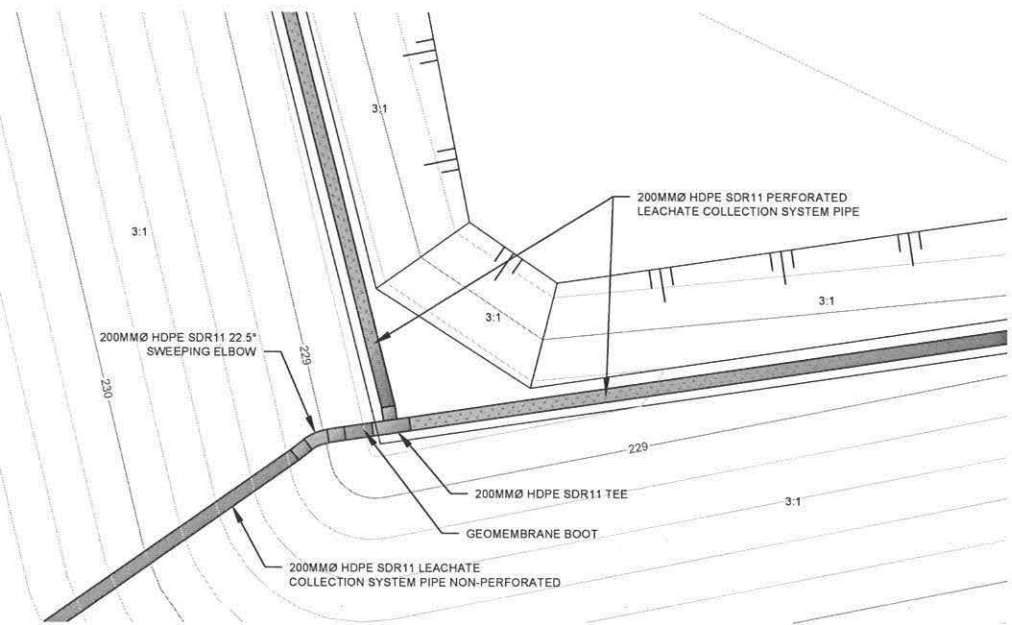
ENGINEER'S SEAL
CONSULTANT DRAWING NUMBER
C3004


**THE CITY OF WINNIPEG**  
 WATER AND WASTE DEPARTMENT  
 SOLID WASTE SERVICES  
 BRADY ROAD RESOURCE MANAGEMENT FACILITY  
 AREA A CONSTRUCTION - CELL 34  
 PLAN/PROFILE  
 CELL 34 TO LEACHATE LINE HEADER

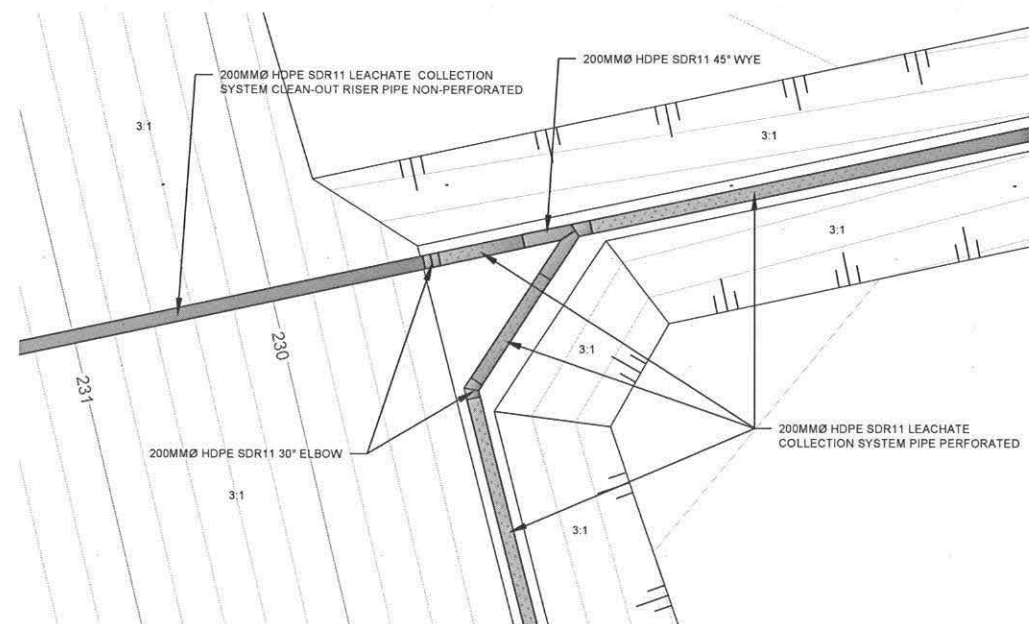
SHEET 5 OF 9  
 CITY DRAWING NUMBER  
 1-0400A-C0112-001



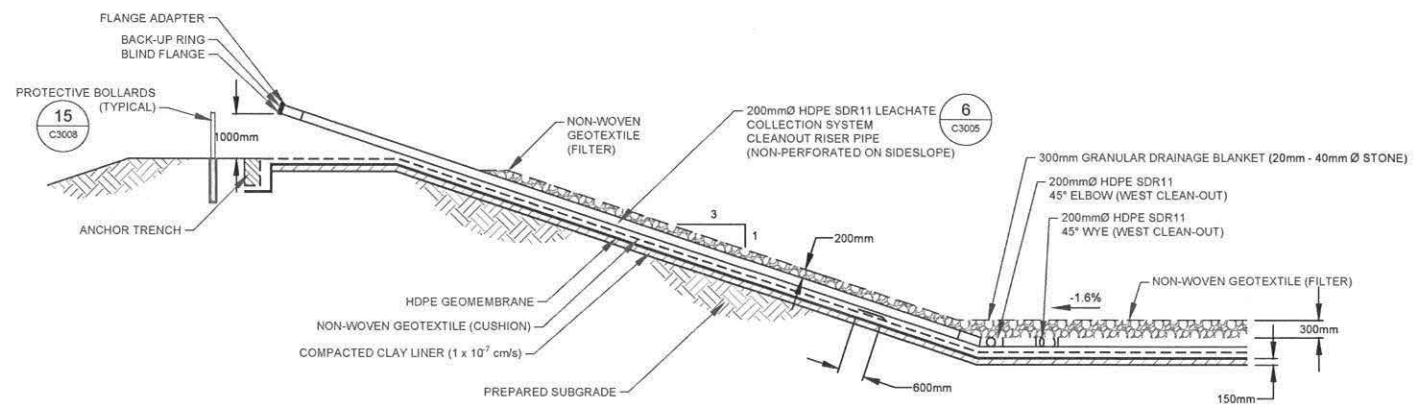




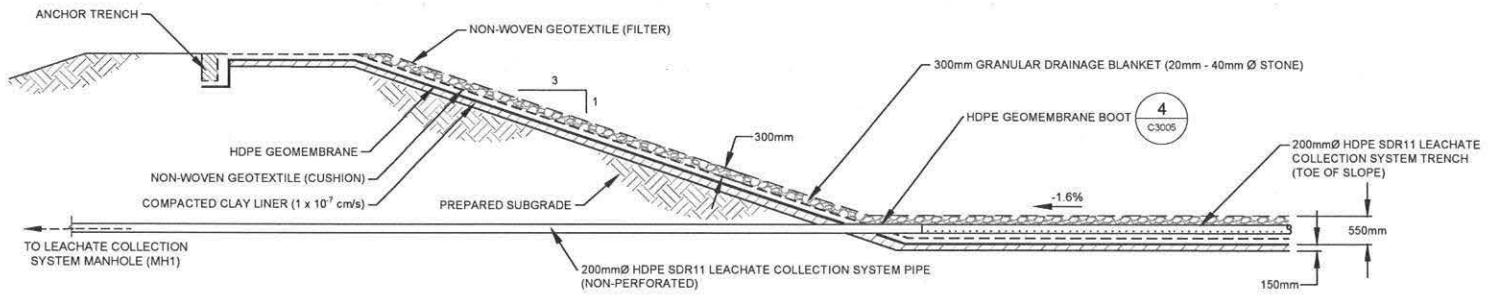
**DETAIL 7a LEACHATE COLLECTION SYSTEM (SOUTHWEST SUMP)**  
1:50 C3001



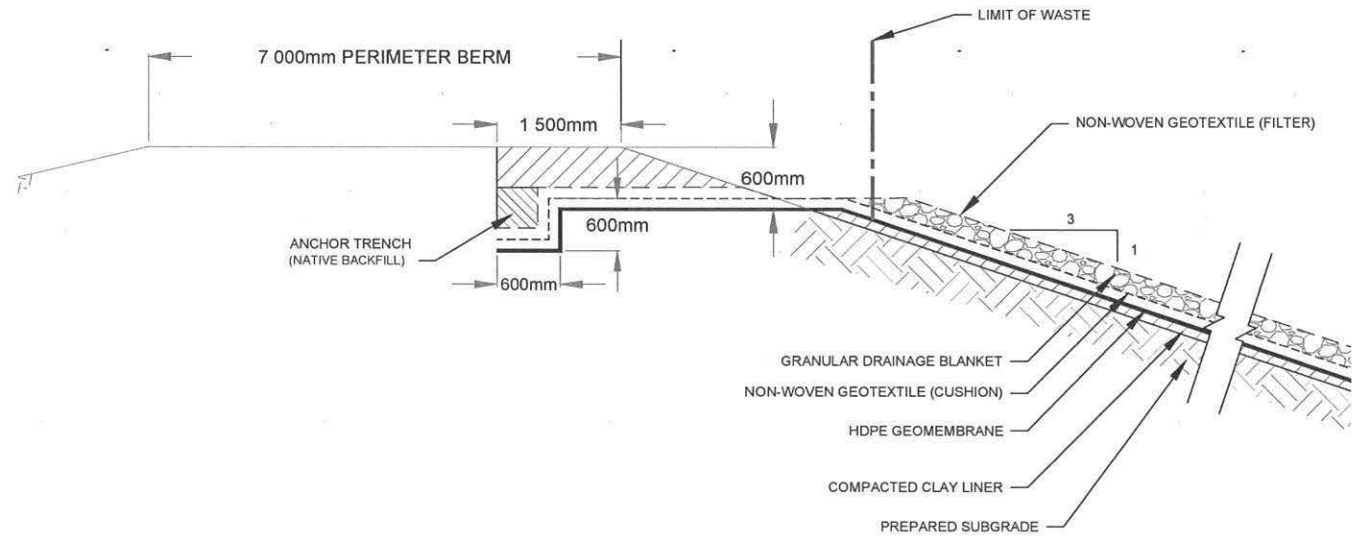
**DETAIL 7b LEACHATE COLLECTION SYSTEM (WEST END OF NORTH LEACHATE COLLECTION TRENCH)**  
1:50 C3001



**DETAIL 8 LEACHATE COLLECTION SYSTEM CLEANOUT RISER PIPE**  
1:75 C3001



**DETAIL 9 LEACHATE COLLECTION SYSTEM PIPE NON-PERFORATED**  
1:75 C3001



**DETAIL 10 WEST / SOUTH PERIMETER TIE-IN (TYPICAL)**  
1:75 C3001

**LEGEND**

- COMPACTED CLAY LINER
- GRANULAR DRAINAGE
- COMPACTED BACKFILL
- COMPACTED NATIVE SUBGRADE MATERIAL
- HDPE GEOMEMBRANE (SMOOTH)
- NON-WOVEN GEOTEXTILE (FILTER)
- NON-WOVEN GEOTEXTILE (CUSHION)

B.M. SWS CCP: N: 5513301.225 E: 629498.188 ELEV: 234.093			
CONSTRUCTION COMPLETION DATE: YYYY MM DD			
DESIGNED BY	ARR	CHECKED BY	ARR
DRAWN BY	DRG	APPROVED BY	ARR
SCALE:	HORIZONTAL AS SHOWN		
	VERTICAL N/A		
ISSUED FOR TENDER	MAR 29/23	AR	
NO.	REVISIONS	DATE	BY
1		2023 03 28	
PLOT DATE: 2023 03 28			

ENGINEER'S SEAL

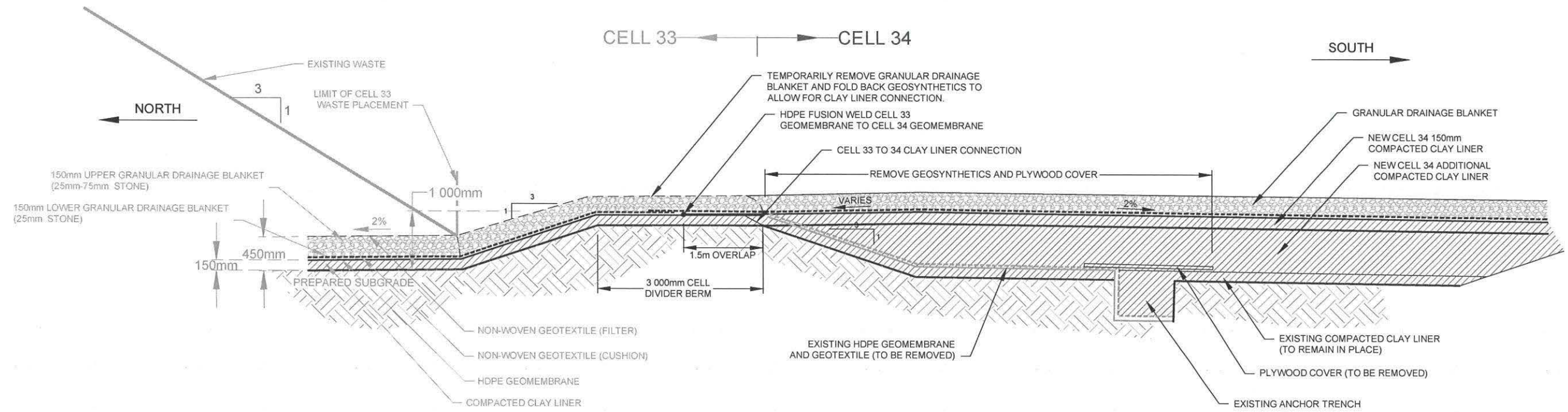
CONSULTANT DRAWING NUMBER  
C3006

**THE CITY OF WINNIPEG**  
WATER AND WASTE DEPARTMENT  
SOLID WASTE SERVICES

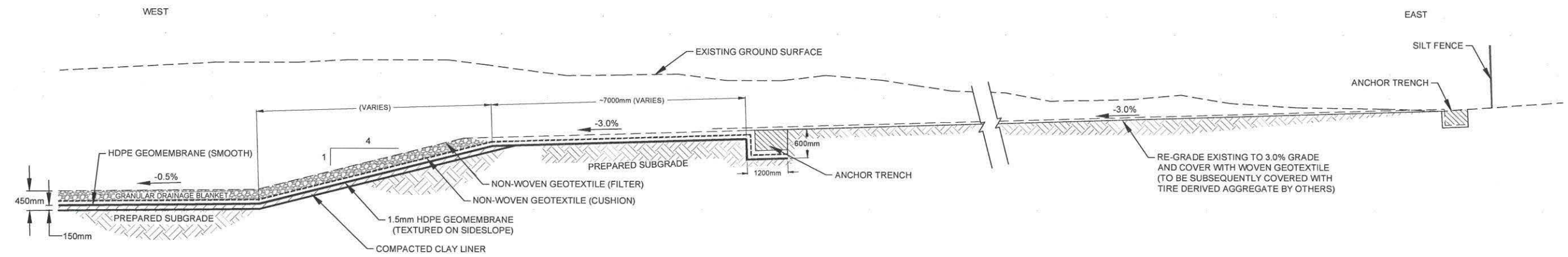
BRADY ROAD RESOURCE MANAGEMENT FACILITY  
AREA A CONSTRUCTION - CELL 34

LEACHATE COLLECTION SYSTEM  
TRENCH AND CLEANOUT RISER PIPE DETAILS

SHEET 7 OF 9  
CITY DRAWING NUMBER  
1-0400A-C0114-001



DETAIL 11 NORTH DIVIDER BERM TIE-IN (TYPICAL)  
NTS C3001



DETAIL 12 EAST PERIMETER TIE-IN (TYPICAL)  
1:75 C3001

LEGEND

- COMPACTED CLAY LINER
- GRANULAR DRAINAGE
- COMPACTED BACKFILL
- COMPACTED NATIVE SUBGRADE MATERIAL
- HDPE GEOMEMBRANE (SMOOTH)
- NON-WOVEN GEOTEXTILE (FILTER)
- NON-WOVEN GEOTEXTILE (CUSHION)

B.M. SWS OCP: N: 5513301.225 E: 629498.188			
ELEV: 234.093			
CONSTRUCTION COMPLETION DATE: YYYY MM DD			
DESIGNED BY	ARR	CHECKED BY	ARR
DRAWN BY	DRG	APPROVED BY	ARR
SCALE: HORIZONTAL AS SHOWN		RELEASED FOR CONSTRUCTION	
VERTICAL N/A		DATE	
1	ISSUED FOR TENDER	MAR 29/23	AR
NO.	REVISIONS	DATE	BY

ENGINEER'S SEAL	
[Redacted Seal]	
CONSULTANT DRAWING NUMBER	
C3007	

DESIGNED BY	ARR	CHECKED BY	ARR
DRAWN BY	DRG	APPROVED BY	ARR
SCALE: HORIZONTAL AS SHOWN		RELEASED FOR CONSTRUCTION	
VERTICAL N/A		DATE	
1	ISSUED FOR TENDER	MAR 29/23	AR
NO.	REVISIONS	DATE	BY

**THE CITY OF WINNIPEG**  
WATER AND WASTE DEPARTMENT  
SOLID WASTE SERVICES

BRADY ROAD RESOURCE MANAGEMENT FACILITY  
AREA A CONSTRUCTION - CELL 34

PERIMETER TIE-IN DETAILS 1

SHEET 8 OF 9  
CITY DRAWING NUMBER  
1-0400A-C0115-001

